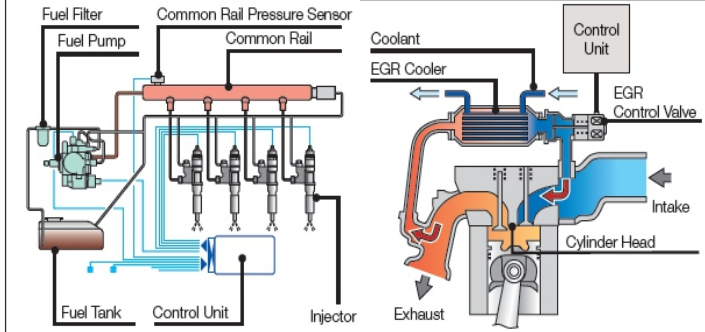


CF 3S Plus



High Performances with less Fuel Consumption

The new performant hydraulic plants give more power to increase the productivity. The **LOAD SENSING VALVE** permits to feed the movements which are activated, adapting instantly to the oil flow, allowing a consumption reduction. The oil and filters change intervals have been extended, reducing maintenance time and expenses. The engine control unit drives the fuel pump at an ultrahigh pressure to inject the fuel into the cylinders through a common rail device. The cooler EGR system mixes exhaust gases with intake air for a re-combustion, lowering combustion temperature and reducing fuel consumption. The new engines comply with the US norms TIER 4 and the EU Euro 4.



Worldwide Service

Our technical support service provides quick access to factory expertise, while our commercial team is always on hand to provide fast and competitive quotes. Our service network covers over 25 countries all over the world.



Easy Maintenance

Routine maintenance is essential for keeping unscheduled downtime to an absolute minimum and ensuring the overall reliability of your machine, but it can be difficult finding the time to carry out regular checks on busy construction sites. The new bases has been designed with time-saving, conveniently accessible features that will make it easy for you to perform routine service and cleaning procedures, so you can get the machine back to work as quickly as possible.



Comfortably in control

The new cabs provided with air conditioning, radio-CD player, multifunction LCD monitor and an absorbing and eating seat, guarantee a comfortable position and ensures an excellent view of the working area. Through the multifunction monitor (optional) the operator can check all the machine parameters and can start the rear view by a camera. The cabs are also protected by new system Center Pillar Reinforced Structure. Our machines are provided with an electronic device which measures the drilling depth and can be equipped also with the mast automatic alignment device which improves the verticality of the pile.



Want more?
...get a **Plus**!



Carro Base		Base Carrier			
Tipo	Type	Case CX90D MSR			
Motore diesel	Diesel engine	Yanmar 4TNV98CT-L2WSH			
Normativa emissioni	Exhaust emission standard	EU Stage V - US EPA Tier4			
Potenza a 2000 rpm	Rated power @ 2000 rpm	50,7	kW	68,4	HP
Capacità serbatoio carburante	Fuel tank capacity	120	l	32	gal
Livello di pressione sonora in cabina	Sound pressure level in cabin	69	dB(A)	69	dB(A)
Livello di potenza sonora	Sound power level	98	dB(A)	98	dB(A)
Impianto idraulico		Hydraulic System			
Portata pompe principali	Main pumps flow rate	2 x 74	l/min	2 x 19,6	gpm
Portata pompa secondaria	Auxiliary pump flow rate	35,4	l/min	9,4	gpm
Pressione di lavoro	Working hydraulic pressure	280	bar	4351	psi
Massima pressione	Max hydraulic pressure	290	bar	4506	psi
Capacità serbatoio olio idraulico	Hydraulic oil tank capacity	96,3	l	25,4	gal
Sottocarro		Undercarriage			
Larghezza	Width	2320	mm	90,5	in
Lunghezza cingoli	Overall tracks length	3410	mm	133,0	in
Larghezza pattini in gomma	Width of rubber track shoes	450	mm	17,6	in
Velocità di traslazione	Travel speed	5,1	Km/h	3,2	mph
Forza di trazione	Traction force	59,1	kN	13024	lbs
Rotary Ø323mm - 1 motore		Rotary head Ø323mm - 1 motor			
Coppia max nominale	Max nominal torque	35	kNm	25815	ft lbs
Velocità max di perforazione	Max drilling speed	30	rpm	30,0	rpm
Velocità di scarico	Spin-off speed	60	rpm	60,0	rpm
Rotary Ø419mm - 1 motore		Rotary head Ø419mm - 1 motor			
Coppia max nominale	Max nominal torque	35	kNm	25815	ft lbs
Velocità max di perforazione	Max drilling speed	30	rpm	30,0	rpm
Velocità di scarico	Spin-off speed	60	rpm	60,0	rpm
Rotary Ø419mm - 2 motori		Rotary head Ø419mm - 2 motors			
Coppia max nominale	Max nominal torque	45	kNm	33190	ft lbs
Velocità max di perforazione	Max drilling speed	30	rpm	30,0	rpm
Velocità di scarico	Spin-off speed	60	rpm	60,0	rpm
Argano Principale		Main winch			
Tiro sul 1° strato	Line pull on 1st layer	48	kN	10790	lbs
Velocità max	Max line speed	152	m/min	496	ft/min
Diametro della fune	Rope diameter	16	mm	0,62	in
Argano Ausiliario		Auxiliary winch			
Tiro sul 1° strato	Line pull on 1st layer	10	kN	2248	lbs
Velocità max	Max line speed	33	m/min	108	ft/min
Diametro della fune	Rope diameter	8	mm	0,31	in
Martinetto Pull Down		Crowd Ram System			
Forza di estrazione	Extraction force	115	kN	25852	lbs
Forza di spinta	Crowd force	130	kN	29224	lbs
Corsa	Stroke	700	mm	28	in
Controslitta torre - 2 pistoni		Mast counterslide - 2 rams			
Forza di estrazione	Extraction force	120	kN	26976	lbs
Forza di spinta	Crowd force	60	kN	13488	lbs
Corsa	Stroke	1000	mm	40	in

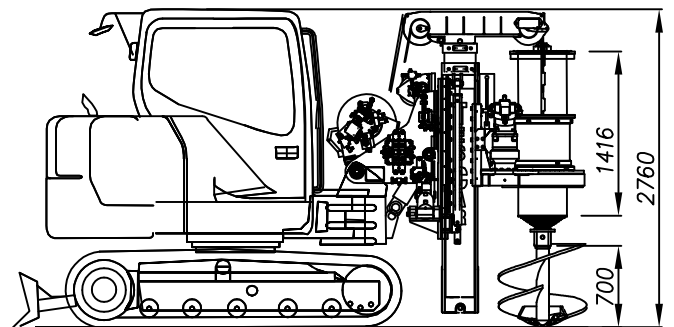
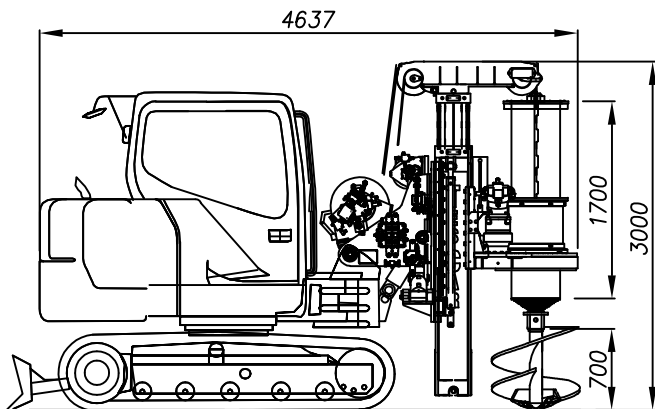
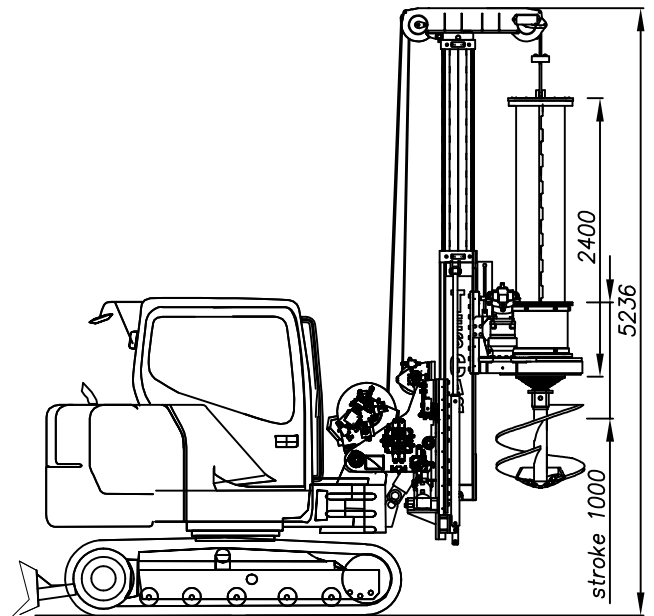
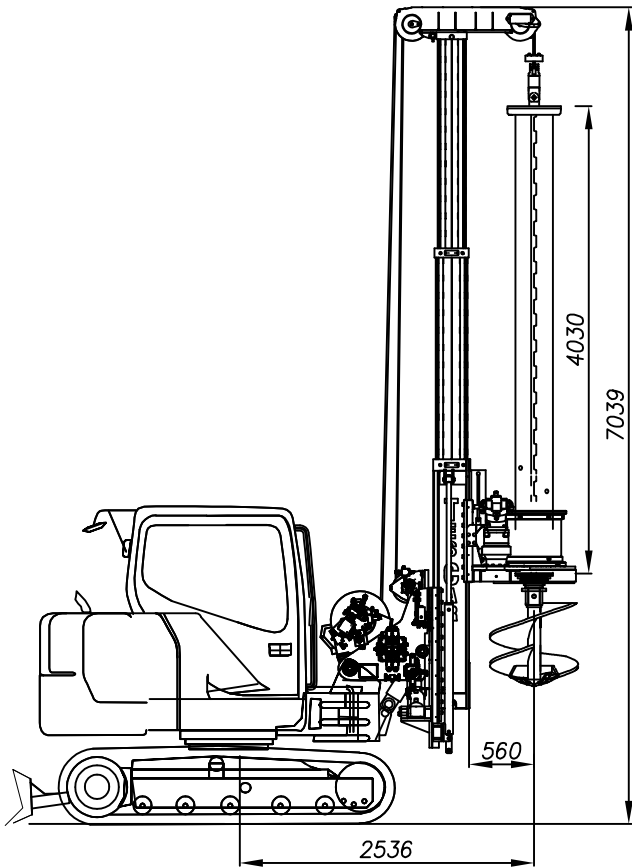
CF3S Plus

Pali		Kelly bar bored piling				
Diametro min con rotary Ø323mm	Min diameter with rotary Ø323mm	350	mm	13,8	in	
Diametro min con rotary Ø419mm	Min diameter with rotary Ø419mm	450	mm	17,7	in	
Diametro max fronte mast	Max diameter along mast	1000	mm	39,4	in	
Diametro max sotto mast	Max diameter below mast	1500	mm	59,1	in	
Diametro max con tubi forma	Max diameter with casing pipes	600	mm	23,6	in	
Profondità max	Max depth	22	m	72,0	ft	
Pali ad altezza limitata		Low Headroom bored piling				
H 3000mm - Kelly bar L 1700mm						
Profondità max con KB Ø323mm - 7 el.	Max depth with KB Ø323mm - 7 els	8,5	m	28,0	ft	
Profondità max con KB Ø419mm - 11 el.	Max depth with KB Ø419mm - 11 els	15	m	49,0	ft	
Pali ad altezza super limitata		Super Low Headroom bored piling				
H 3000mm - Kelly bar L 1250mm						
Profondità max con KB Ø323mm - 7 el.	Max depth with KB Ø323mm - 7 els	6	m	19,0	ft	
Profondità max con KB Ø419mm - 11 el.	Max depth with KB Ø419mm - 11 els	10	m	33,0	ft	
Dimensioni per il trasporto		Transport dimensions				
Versione standard		Regular version				
Altezza	Height	3000	mm	9,8	ft	
Lunghezza	Length	5000	mm	16,4	ft	
Larghezza	Width	2320	mm	7,6	ft	
Peso (senza kelly bar)	Weight (without kelly bar)	11000	kg	24251	lbs	
Versione con controslitta		Version with counterslide				
Altezza	Height	2760	mm	8,8	ft	
Lunghezza	Length	4900	mm	16,0	ft	
Larghezza	Width	2320	mm	7,6	ft	
Peso (senza kelly bar)	Weight (without kelly bar)	13000	kg	28660	lbs	

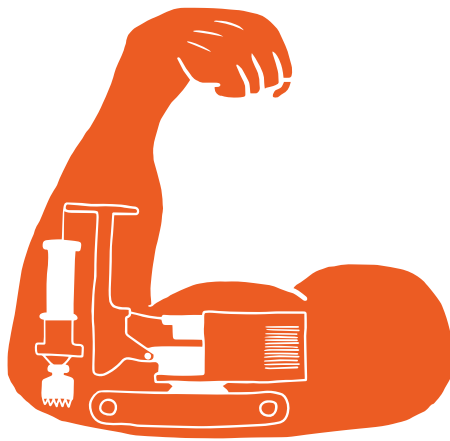
La CF3S PLUS può essere stivata in un container open-top da 20"

The CF3S PLUS can be stowed into a 20" open-top container









TES CAR[®] is a brand licensed to TONTI TRADING SRL

TONTI TRADING SRL:



info@tonitrading.com



+39 071 9300027

P.Iva / VAT: IT 02636680429

Registered Office: Via Marco Polo, 80 60027 Osimo (AN) Italy
Operating Office: Via Flaminia II, 16 60027 Osimo (AN) Italy