



# 100 t TELESCOPIC CRAWLER CRANE



186 kW



100 t



46.8 m + 15 m



MAX CAB

Stage V

# 6103E

## The versatile.

Specially developed for applications requiring both high load capacities and Pick & Carry capabilities, the 100 ton 6103 E telescopic crawler crane is ideal for a wide range of applications.

Whether in prefabricated concrete parts assembly, large-scale assembly, specialized civil engineering, bridge construction or rental – this all-rounder enables maximum productivity on any terrain. One highlight in terms of performance is the Pin Boom telescopic system. It is particularly light and stable, even with long boom lengths, and offers high load capacities without sacrificing flexibility.

### More variety

Reach boom lengths of up to 62 m and always work optimally with load hook, heavy-duty jib, 8 m or 15 m fly jib. The innovative, hydraulic telescopic crawler undercarriage easily adapts to all construction site conditions.

### Maximize productivity – anywhere

Unparalleled maneuverability and off-road mobility thanks to heavy-duty crawler tracks. 100% Pick and Carry capability and work on up to 20° slope and 4° incline.

### Ultimate ease of use

With the 20° tiltable comfort Maxcab as standard, the back-friendly comfort seat, the adjustable armrests and the optimally arranged resonant control elements.

### Well equipped

Maximum main boom length of 46.8 m thanks to 5-section telescopic pin boom. The selected telescopic section can also be extended further under load.



## Maintenance & service

This is made easy with standard components and easy-to-access maintenance and service points.

---

## On site and ready to use fast

The machine's self-assembly system means it can be installed in a short time without the use of an auxiliary crane. The removable crawler tracks ensure a narrow transport width.

---

Telescopic crawler crane  
with 100 t load capacity

# Advanced. The E Series



## LONG SERVICE LIFE, HIGH VALUE RETENTION

- Reliable and powerful thanks to its robust construction and high-quality components.

## SOPHISTICATED, STATE-OF-THE-ART TECHNOLOGY

- In the 5th Generation – decades of experience in designing and constructing telescopic cranes



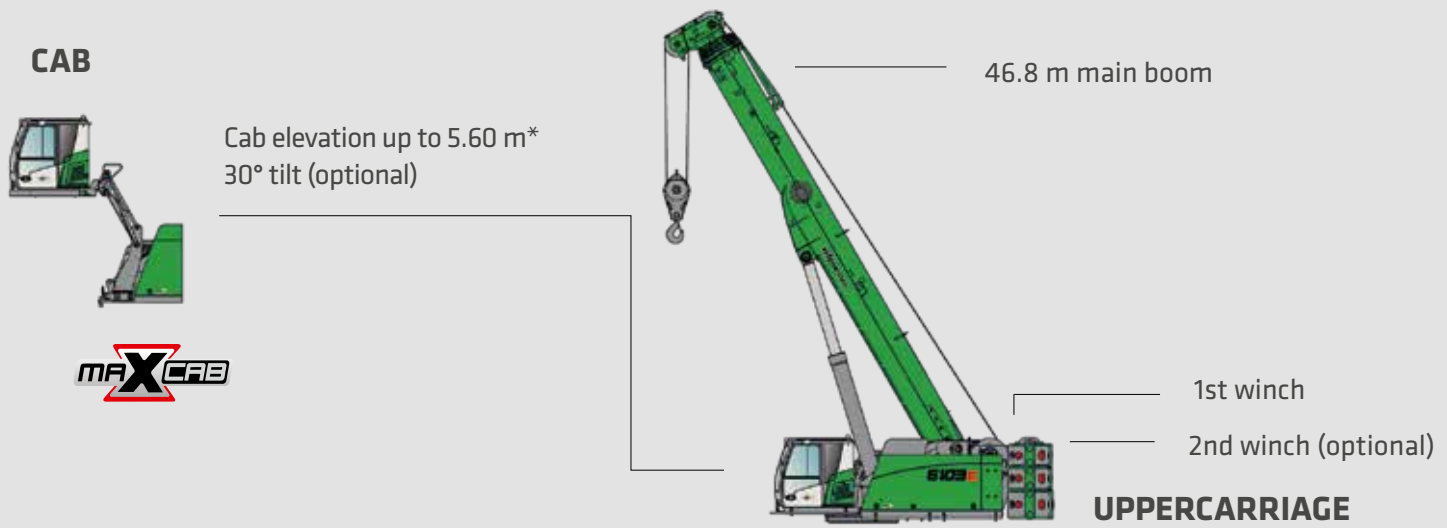
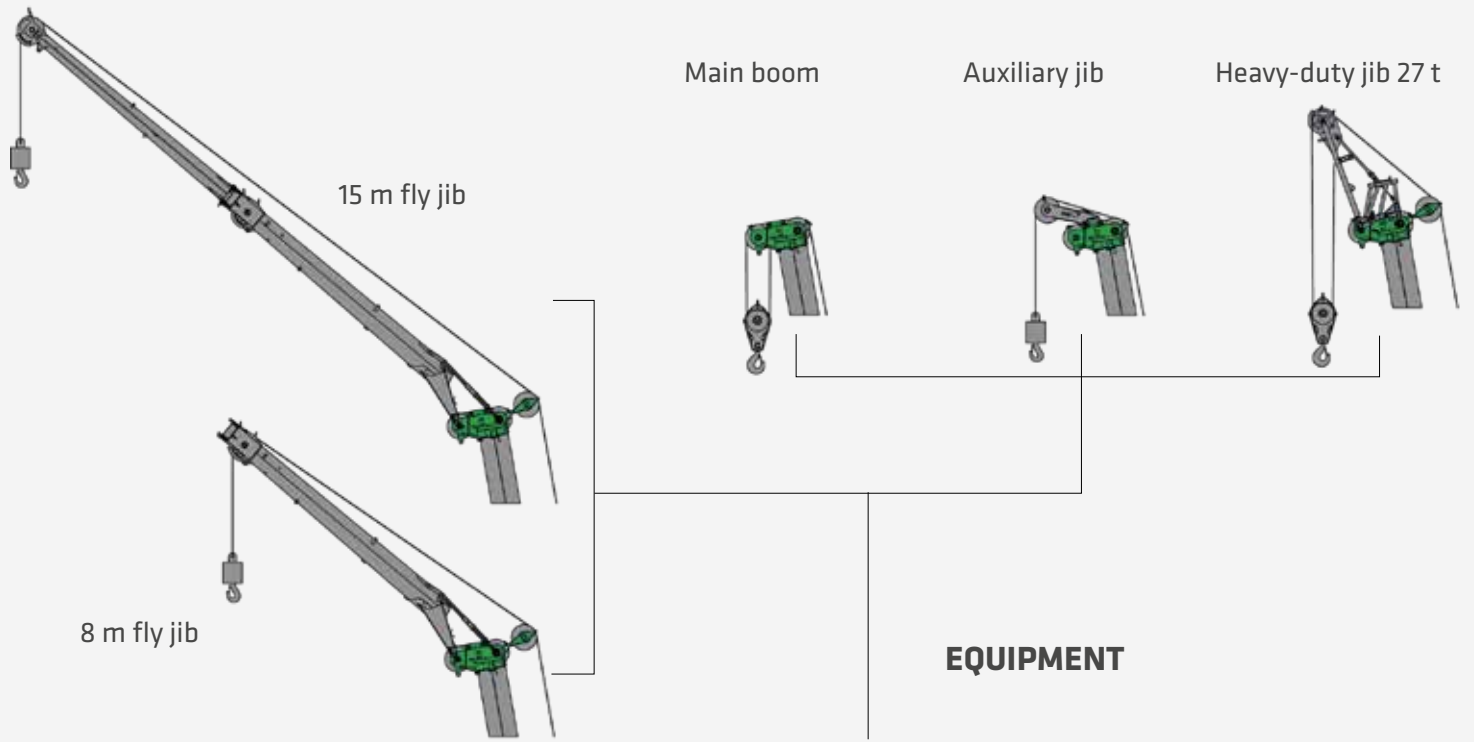
## SIMPLE TO MAINTAIN AND SERVICE

- Technology that can be mastered and no over-engineering, easy access to all components

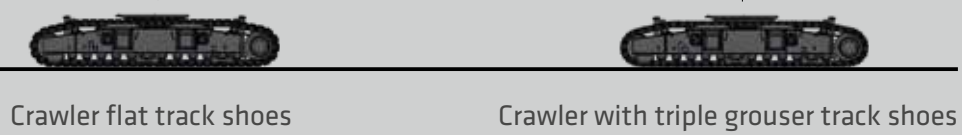
## ENVIRONMENTALLY-FRIENDLY DRIVE TECHNOLOGY

- State-of-the-art engine, drive and emission systems in line with the latest technology standards (stage V)
- Large-scale pipes and valves for maximum efficiency

# A MODULAR DESIGN. OPTIMUM EQUIPMENT OPTIONS.



**UNDERCARRIAGE**



\* Eye level

up to  
**62 m**  
 boom length\*\*

## OUTSTANDING WORKING HEIGHT. WITH THE PIN BOOM

- Well equipped: Maximum main boom length of 46.8 m thanks to the 5-section pin boom. The selected telescopic section can also be extended further under partial load.
- Simple and user-friendly: implement optimum load capacities over the entire working range.
- Steep things: can work on inclines of up to 4°.\*
- Comfortable work area: Achieve working heights and radii of more than 50 m with the optional 8 m fly jib and 15 m fly jib extension.

PIN BOOM

\* with reduced load charts (optional)  
 \*\* with 15 m fly jib (not shown)



Pick & Carry  
with up to  
**100%**  
load

## PRECISE AND STRONG. WITH MAXIMUM FLEXIBILITY

- High stability thanks to 4.20 m track width
- Excellent view when lifting loads thanks to the tiltable cab which comes as standard
- Coverage of a large work area and flexibility thanks to a wide range of equipment options
- Remote control operation as an option
- The optional multi-base (asymmetric track width adjustment) makes it easier to work on confined construction sites and enables higher capacities with narrow and medium track widths compared to standard 360° load charts



Moves e.g. with

**65 t**

at 6.0 m  
radius



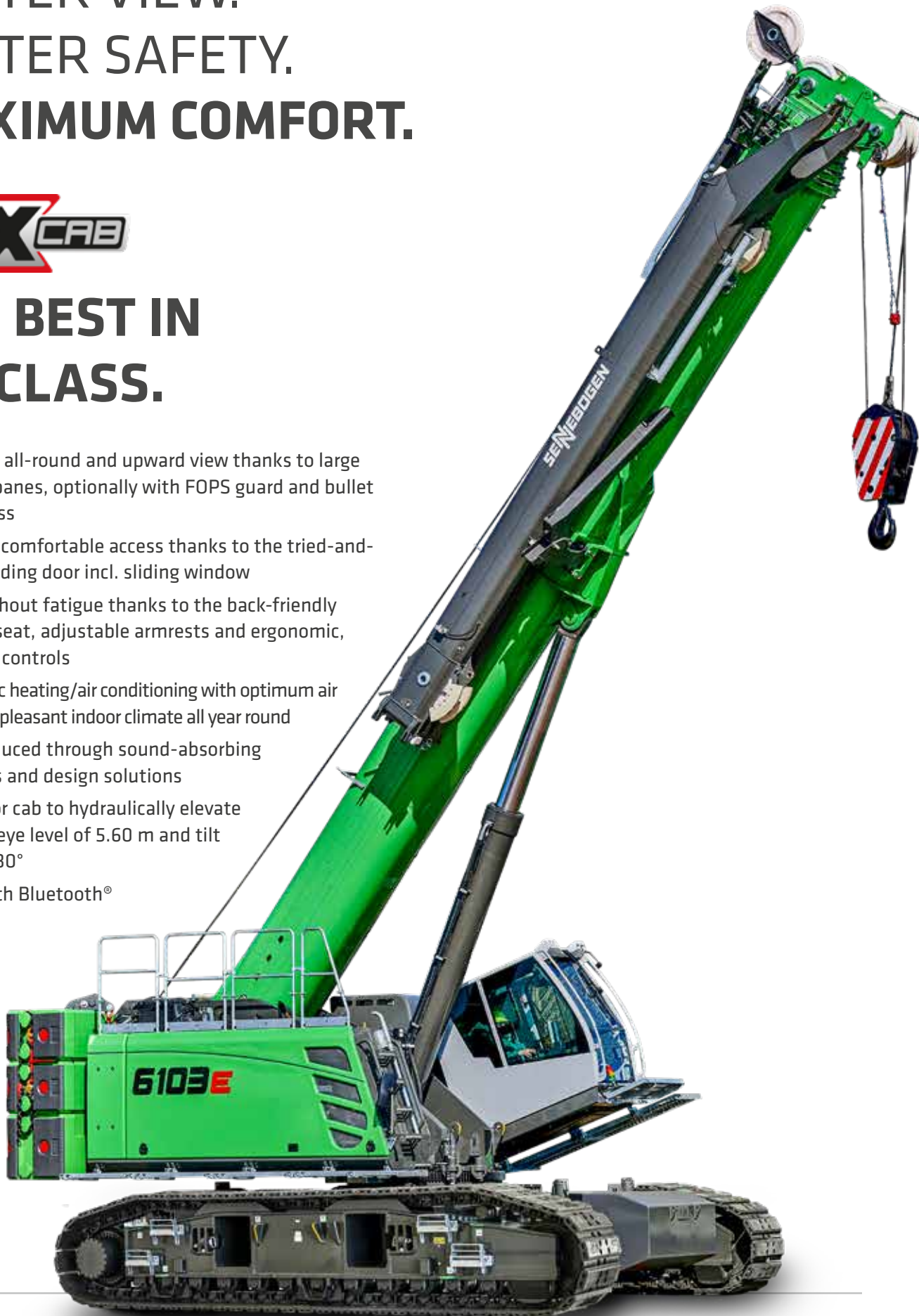
Pick & Carry operation; Germany

BETTER VIEW.  
BETTER SAFETY.  
MAXIMUM COMFORT.



THE BEST IN  
ITS CLASS.

- Excellent all-round and upward view thanks to large window panes, optionally with FOPS guard and bullet proof glass
- Safe and comfortable access thanks to the tried-and-tested sliding door incl. sliding window
- Work without fatigue thanks to the back-friendly comfort seat, adjustable armrests and ergonomic, resonant controls
- Automatic heating/air conditioning with optimum air flow for a pleasant indoor climate all year round
- Noise reduced through sound-absorbing materials and design solutions
- Option for cab to hydraulically elevate up to an eye level of 5.60 m and tilt by up to 30°
- Radio with Bluetooth®



# PANORAMIC VIEW

Tiltable  
up to **20°**  
as standard

## TAKE FULL CONTROL WITH OUR JOYSTICKS

- Joysticks on resonant, seat-mounted consoles
- Comfortable grip thanks to ergonomic design
- Shortcuts for direct and sensitive control of all functions
- Operating comfort thanks to optimized design of buttons and switches



# FLEXIBLE TRANSPORT. INDEPENDENT SELF-ASSEMBLY.

It is not just with procurement and operating costs that companies can make cost-effective decisions and savings. Astute contractors know that simple and economical transportation between construction sites is an important factor, too.



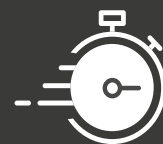
## Cost-efficient

Once the crawler tracks and ballast have been removed, the transport width is only 3.0 m



## Flexible

The machine can be transported with or without crawler tracks, providing full transport flexibility



## Quick

The machine is ready for use on site in a short time thanks to the innovative self-assembly system.

# MAINTENANCE AND SERVICE. MAKE IT EASY ON YOURSELF.



The SENCON control system supports you with diagnostics and makes troubleshooting easier. So your machine is back in action more quickly.

All maintenance and service points are clearly arranged and easily accessible. The clear labeling of components makes finding your way around easy.

## KEEP IT SIMPLE. WITH TECHNOLOGY THAT CAN BE MASTERED.



Reliable and practical technology makes life easier. Where electronics add no value, we rely on hydraulics and electrical systems.



We make you happy, not reliant. With cost-effective components and fewer process steps, you can take care of the machine on your own.



At the central electrical distribution board, clearly arranged standard components simplify control and troubleshooting.

# TECHNICAL DATA, EQUIPMENT

## MACHINE TYPE

MODEL (TYPE) 6103 Crawler

## ENGINE

TYPE	<p><b>Stage V:</b> Cummins B6.7 FR95885 Rated power: 168 kW/2200 rpm Operating point standard: 186 kW/2000 rpm Operating point ECO: 188 kW/1850 rpm</p> <p><b>Stage IIIa:</b> Cummins QSB6.7 FR96045 Rated power: 164 kW/2000 rpm Operating point standard: 164 kW/2000 rpm Operating point ECO: 170 kW/1850 rpm</p> <p>both: direct injection, turbocharged, charge air cooling, reduced emissions</p>
COOLING	Water-cooled
DIESEL FILTER	With water separator and heater
AIR FILTER	Dry filter with integrated pre-separator, automatic dust discharge, main element and safety element, contamination indicator
FUEL TANK	450 l
DEF TANK	45 l
ELECTRICAL SYSTEM	24 V
BATTERIES	2 x 155 Ah
OPTIONS	Electric fuel pump



## UPPERCARRIAGE

DESIGN	Torsion-resistant box design, precision crafted, steel bushings for boom mountings. Service-friendly design, engine installed in the longitudinal direction
ELECTRIC	Central electrical distributor, battery disconnect switch
LIGHTING	LED headlights for optimal lighting of the work area
COOLING SYSTEM	3-circuit cooling system with high cooling output, electrically regulated fan drive for cooling water, charged air and oil
SAFETY	Camera monitoring of the area to the rear and the right side Uppercarriage railing
OPTIONS	<ul style="list-style-type: none"> <li>Additional LED headlights</li> <li>2 warning beacons at the rear</li> <li>Additional cameras</li> <li>Sea climate resistant coating as corrosion protection</li> <li>Customized paint finish</li> <li>Low temperature package</li> <li>Automatic central lubrication for boom attachment point, luffing cylinder and live ring track</li> <li>Pinion tooth lubrication</li> </ul>



# TECHNICAL DATA, EQUIPMENT

## HYDRAULIC SYSTEM / HYDRAULICS



Pump unit attached directly to diesel engine, load-sensing/ LUDV hydraulic system, electro-hydraulic work functions, load limit control. Axial piston variable displacement pump. Multiple work functions can be controlled precisely simultaneously and independently from each other thanks to the independent, proportional allocation of the pump flows.

DELIVERY RATE	Up to 400 l / min
OPERATING PRESSURE	Up to 330 bar
FILTRATION	High-performance filtration with long change interval
HYDRAULIC TANK	900 l
CONTROL SYSTEM	Proportional, precision hydraulic control of the movements, 2 servo joysticks for work functions, additional functions via switches and foot pedals – arranged clearly and ergonomically
SAFETY	Hydraulic circuits with safety valves Pipe-fracture safety valves for luffing cylinder and telescopic cylinder
OPTIONS	Bio-oil filling SENNEBOGEN HydroClean micro-filter system (3 µm) with water separator Hydraulic tank preheating

## SLEWING DRIVE



GEARBOX	2 compact planetary gears with bent-axis hydraulic engine, integrated brake valves
SLEW BRAKE	Spring-loaded multi-disk brake
SLEWING RING	Large-scale, externally geared 1-row slewing ring
SLEWING SPEED	0-2 rpm, variable

## CAB

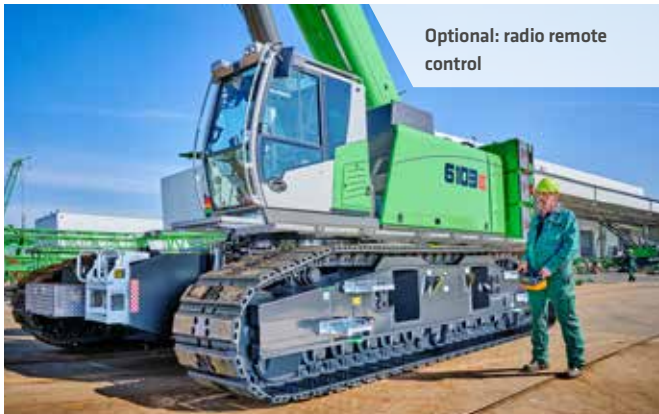


CAB TYPE	Maxcab, tiltable 20°
CAB FEATURES	Comfortable operator cab with sliding door incl. sliding window, vibration damper, tinted safety glass, opening windshield, skylight, front and rear windshield wipers, 12 V/ 24 V connections, 2 headlights integrated into the front of the roof. Air-sprung comfort operator's seat with seat heating and headrest. Sunblind for skylight. Slew brake via foot pedal.
OPTIONS	Cab adjustment type E270, hydraulically variable elevation up to 2.7 m and hydraulic backwards tilting by approx. 30°, includes platform next to cab. Auxiliary heating system with timer Activated-carbon filter for cab Bullet proof windshield Bullet proof skylight FOPS protective roof grating Radio with USB and SD connections, MP3 and Bluetooth® functions Work area limitation Customized paint finish

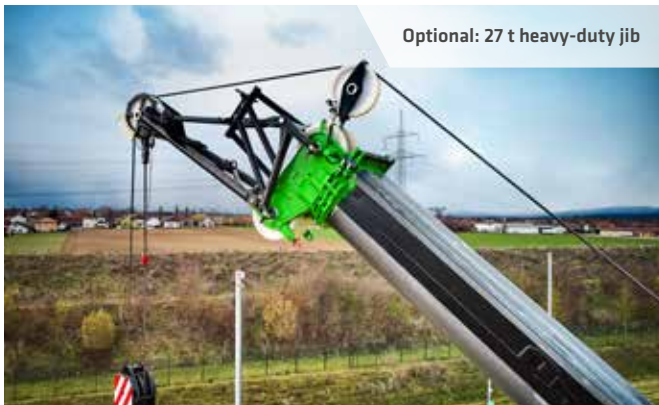
Optional:  
Work area limitation



# TECHNICAL DATA, EQUIPMENT



Optional: radio remote control



Optional: 27 t heavy-duty jib



Optional: 8 m + 7 m fly jib

## EQUIPMENT

<b>BOOM</b>	5-section telescopic boom made from high-strength fine-grain steel, consisting of a basic boom and 4 telescopic sections, 1 telescopic cylinder, can be hydraulically telescoped under partial load. Length: 12.5 m to 46.8 m; tipping from 0-80° in 50 seconds; complete telescoping in 420 seconds.
<b>CRANE SAFETY</b>	Latest generation of load moment monitoring with event recorder, clear operations panel showing all important data via the SENCON display, lifting limit switch, cable exit protection, pressure relief valves and pipe fracture protection SENtrack telemetry system
<b>CYLINDERS</b>	Hydraulic cylinders with high-quality sealing and guide elements
<b>OPTIONS</b>	8 m fly jib, load capacity 15 t at 0°, tiltable (0°, 20°, 40°), can be set up without additional equipment, can be bolted to basic boom when not in use Fly jib extension to 15 m, 7 m extension, load capacity 5.9 t, tiltable (0°, 20°, 40°), can be bolted to basic boom when not in use Auxiliary jib: 9 t load capacity, 1-strand 27 t heavy-duty jib Electro-hydraulic emergency unit Radio remote control Programmable working limit Additional load charts accepted for 4° incline position



# TECHNICAL DATA, EQUIPMENT

## UNDERCARRIAGE

DESIGN	Crawler undercarriage T107/419 with removable traveling tracks
DRIVE	Travel drive with axial piston hydraulic engine, directly attached automatically functioning brake valve and compact planetary gears on each running gear side
PARKING BRAKE	Spring-loaded multi-disk brake
TRAVELING GEAR	Maintenance-free tractor traveling gear with hydraulic track tension. Crawler carrier with 800 mm triple grouser shoes
SPEED	0 - 2.5 km/h
OPTIONS	Multi Base: Asymmetric track width adjustment  Track shoes in the following equipment: - 800 mm flat track shoes - 900 mm triple grouser shoes - 900 mm flat track shoes

## WINCH

The winches are driven via high-pressure-regulated adjustable hydraulic engines, so there is always optimal pulling force speed control. Hydraulic lowering brake valves for sensitive, wear-free braking. Strong oil bath planetary gears, low-maintenance. Holding brakes spring-loaded, maintenance-free, low-wear, designed as multiple disc brakes running in oil bath, oil-cooled

100 kN tensile force (3rd position), cable speed 0-125 m/min., cable diameter 22 mm, max. cable length 205 m

SAFETY BRAKE Spring-loaded multi-disk brake

OPTIONS 2nd winch: 100 kN tensile force (3rd position), cable speed 0-125 m/min., cable diameter 22 mm, max. cable length 205 m

## OPERATING WEIGHT

MASS approx. 107,000 kg with telescopic boom 46.8 m, 15 m fly jib, 63 t hook, triple grouser shoes 800 mm, 2 hoist winches, with hydraulic telescoping undercarriage, 28.2 t rear ballast, 17 t undercarriage ballast

NOTE Operating weight varies by model and equipment.

Subject to technical changes.

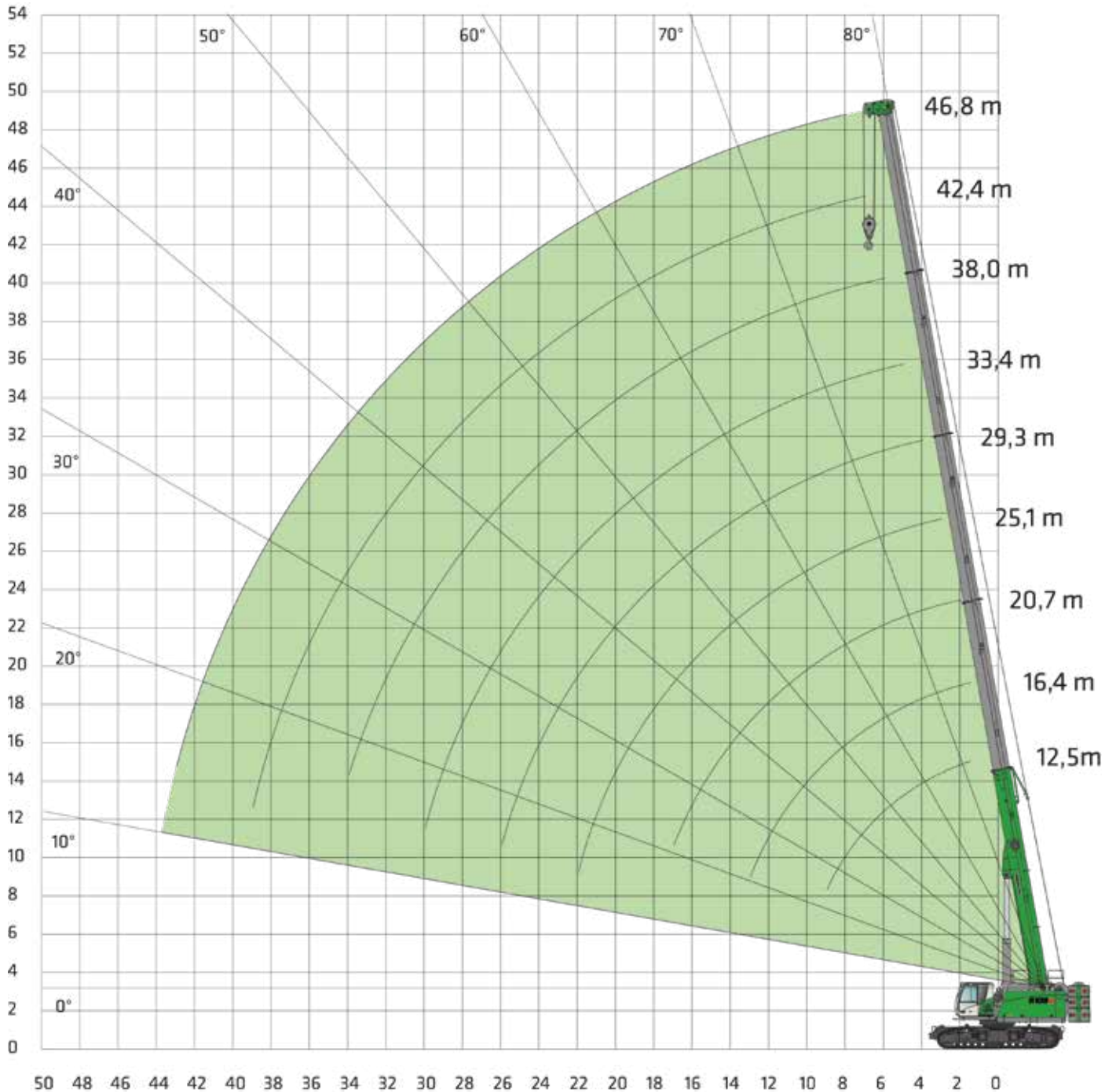


# CRANE EQUIPMENT



**MAIN BOOM**  
HA 46.8 m

CRANE EQUIPMENT



# LOAD RATINGS



**MAIN BOOM**  
HA 46.8 m



**BALLAST**  
28.2 t



**TRACK WIDTH**  
4.2 m



**MAX. INCLINATION**  
0.6 °



**UNDERCARRIAGE BALLAST**  
17.0 T

RADIUS [m]	BOOM LENGTH [m]								
	12.5	16.5	20.8	25.1	29.3	33.5	38.0	42.4	46.8
2.5	100.0	65.0	61.5						
3.0	97.0	65.0	60.0	54.0					
4.0	85.0	65.0	58.0	50.0	40.5				
5.0	75.0	63.0	54.6	46.5	38.0	30.4			
6.0	65.0	58.9	50.2	43.5	35.7	28.7	23.0		
7.0	51.5	52.6	46.5	40.5	33.7	27.0	21.5	15.5	
8.0	41.5	42.8	42.9	38.0	31.8	25.5	20.1	15.5	12.0
9.0	35.0	35.9	36.0	34.7	30.1	24.5	18.9	15.2	12.0
10.0		31.3	31.6	30.2	28.0	23.3	17.9	14.8	12.0
12.0		24.1	24.3	23.8	22.5	20.7	16.0	13.4	11.8
14.0		18.6	19.7	19.4	18.4	17.0	14.4	12.0	11.2
16.0			16.0	16.0	15.4	14.0	12.5	10.9	10.6
18.0			12.8	13.4	13.2	11.9	10.7	9.9	9.7
20.0				11.8	11.4	10.2	9.3	9.0	9.0
22.0				10.7	9.8	9.4	8.4	8.0	8.3
24.0					9.0	8.7	7.6	7.0	7.7
26.0					7.9	8.0	7.0	6.2	7.1
28.0						7.1	6.4	5.6	6.5
30.0						6.3	5.9	5.1	5.7
32.0							5.5	4.6	5.0
34.0							5.0	4.3	4.4
36.0								4.0	3.8
38.0								3.7	3.3
40.0									2.9
42.0									2.4
<b>Number of falls</b>	12	8	8	8	6	4	4	2	2

Tab.no.: 6103R-75\_2170\_28-2+17.0\_03-21\_HA\_0.6°

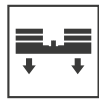
## Notes:

- Load ratings are given in tonnes.
- The weight of the load handling equipment (hooks, suspension gear) should be deducted from the load capacities.
- The load ratings apply for the bolted boom.
- Load capacities must be limited or reduced in adverse conditions such as soft or uneven ground, slopes, wind, side loads, swinging loads, jolts or sudden stopping of loads, personnel and operators not experienced in handling loads.
- Permissible cable pull per strand in crane mode for cable diameter 22 mm - 9,000 kg.
- The load ratings and boom lengths given are for reference only. Please refer to the charts in the operating instructions for the relevant applicable load ratings and boom lengths.
- Load charts for inclines > 1.5° should be requested separately.
- The specifications on p. 20 for the reduction of the load capacity with the 15 m fly jib folded to the side apply to all HA charts. Capacity reductions for other equipment options should be requested separately.

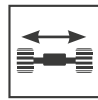
# LOAD RATINGS



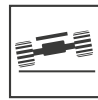
**MAIN BOOM**  
HA 46.8 m



**BALLAST**  
28.2 t



**TRACK WIDTH**  
4.2 m



**MAX. INCLINATION**  
1.5 °



**UNDERCARRIAGE BALLAST**  
17.0 T

CRANE EQUIPMENT

RADIUS [m]	BOOM LENGTH [m]								
	12.5	16.5	20.8	25.1	29.3	33.5	38.0	42.4	46.8
2.5	80.0	47.0	39.0						
3.0	75.0	48.3	44.3	39.0					
4.0	65.0	47.0	42.2	36.8	28.9				
5.0	59.0	46.7	39.5	34.5	27.6	22.7			
6.0	55.0	46.0	37.0	32.8	26.4	21.8	17.3		
7.0	50.4	43.2	34.8	31.1	25.2	20.9	16.8	11.7	
8.0	41.0	40.2	32.8	29.5	23.8	20.2	16.2	11.7	8.6
9.0	34.1	35.3	31.0	28.1	22.8	19.4	15.7	11.7	8.6
10.0		30.5	29.1	26.8	21.8	18.7	15.2	11.5	8.6
12.0		23.4	23.2	22.3	20.1	16.4	14.3	10.9	8.6
14.0		17.5	19.1	18.5	17.3	14.7	13.0	10.4	8.5
16.0			15.7	15.1	14.5	12.2	10.9	10.0	8.1
18.0			12.5	13.2	12.4	10.5	9.6	9.0	7.8
20.0				11.3	10.8	9.3	8.4	8.0	7.4
22.0				10.2	9.6	8.4	7.4	6.9	7.1
24.0					8.7	7.7	6.7	6.1	6.7
26.0					7.6	7.1	6.1	5.5	6.3
28.0						6.8	5.7	5.0	6.0
30.0						6.1	5.4	4.5	5.6
32.0							5.0	4.2	4.9
34.0							4.6	3.9	4.2
36.0								3.7	3.7
38.0								3.5	3.2
40.0									2.7
42.0									2.3
<b>Number of falls</b>	10	6	6	6	4	4	2	2	2
The load ratings must be reduced if there's a 15 m fly jib folded to the side of the main boom.									
<b>Load capacity reduction [kg]</b>	719	548	434	358	307	269	236	212	192

Tab.no.: 6103R/75\_2170\_28+170\_0720\_HA\_1.5°

# LOAD RATINGS



**MAIN BOOM**  
HA 46.8 m



**BALLAST**  
14.3 t



**TRACK WIDTH**  
4.2 m



**MAX. INCLINATION**  
1.5 °



**UNDERCARRIAGE BALLAST**  
17.0 T

## BOOM LENGTH [m]

RADIUS [m]	BOOM LENGTH [m]									
	12.5	16.5	20.8	25.1	29.3	33.5	38.0	42.4	46.8	
2.5	80.0	47.0	39.0							
3.0	73.0	48.3	44.3	39.0						
4.0	68.8	47.0	42.2	36.8	28.9					
5.0	61.9	46.7	39.5	34.5	27.6	22.7				
6.0	48.6	46.0	37.0	32.8	26.4	21.8	17.3	11.7		
7.0	37.5	38.6	34.8	31.1	25.2	20.9	16.8	11.7	8.6	
8.0	30.1	31.7	32.0	29.5	23.8	20.2	16.2	11.7	8.6	
9.0	24.9	26.4	26.9	26.4	22.8	19.4	15.7	11.7	8.6	
10.0		22.4	23.0	23.0	21.8	18.7	15.2	11.5	8.6	
12.0		16.9	17.4	17.4	17.4	16.4	14.3	10.9	8.6	
14.0		11.7	13.8	14.4	14.0	13.3	13.0	10.4	8.5	
16.0			11.5	11.7	11.6	11.8	10.9	10.0	8.1	
18.0			8.5	9.7	10.1	9.8	9.6	9.0	7.8	
20.0				8.2	8.4	8.3	8.4	8.0	7.4	
22.0				7.0	7.1	7.0	6.9	6.5	7.1	
24.0					6.1	6.0	5.9	5.6	5.8	
26.0					5.3	5.2	5.1	4.8	5.0	
28.0						4.5	4.4	4.1	4.1	
30.0						3.8	3.7	3.4	3.4	
32.0							3.2	2.8	2.8	
34.0							2.7	2.3	2.3	
36.0								1.9	1.9	
38.0								1.5	1.4	
40.0									1.1	
42.0									0.8	
<b>Number of falls</b>	10	6	6	6	4	4	2	2	2	

Tab.no.: 6103R-75\_2170\_14.3+17.0\_09.20\_HA\_1.5°

CRANE EQUIPMENT

# LOAD RATINGS



**MAIN BOOM**  
HA 46.8 m



**BALLAST**  
28.2 t



**TRACK WIDTH**  
3.44 m



**MAX. INCLINATION**  
1.5 °



**UNDERCARRIAGE BALLAST**  
17.0 T

CRANE EQUIPMENT

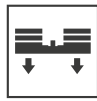
RADIUS [m]	BOOM LENGTH [m]								
	12.5	16.5	20.8	25.1	29.3	33.5	38.0	42.4	46.8
2.5									
3.0									
4.0									
5.0									
6.0	52.1								
7.0	41.1	41.0	34.2						
8.0	33.6	35.1	32.1	27.3					
9.0	28.2	29.6	30.2	25.9	22.8	19.4			8.6
10.0		25.5	26.0	26.0	21.8	18.7		11.5	8.6
12.0		19.6	20.1	20.0	19.7	17.5	14.3	10.9	8.6
14.0		14.1	16.1	16.0	16.5	15.9	13.0	10.4	8.5
16.0			13.2	13.6	13.7	13.2	10.9	10.0	8.1
18.0			10.4	11.6	11.5	11.1	9.6	9.0	7.8
20.0				9.9	9.8	9.4	8.4	8.0	7.4
22.0				8.5	8.4	8.4	7.4	6.9	7.1
24.0					7.8	7.7	6.7	6.1	6.7
26.0					6.6	6.5	6.1	5.5	5.9
28.0						5.7	5.7	5.0	5.1
30.0						5.9	4.9	4.5	4.4
32.0							4.3	4.2	3.7
34.0							3.8	3.4	3.2
36.0								2.9	2.7
38.0								2.5	2.2
40.0									1.8
42.0									1.5
<b>Number of falls</b>	6	6	4	4	4	4	2	2	2

Tab. no.: 6103R75\_1790\_28-2+170\_09.20\_HA\_1.5°

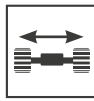
# LOAD RATINGS



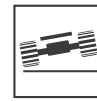
**MAIN BOOM**  
HA 46.8 m



**BALLAST**  
14.3 t



**TRACK WIDTH**  
3.44 m



**MAX. INCLINATION**  
1.5 °



**UNDERCARRIAGE BALLAST**  
17.0 T

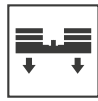
RADIUS [m]	BOOM LENGTH [m]								
	12.5	16.5	20.8	25.1	29.3	33.5	38.0	42.4	46.8
2.5	80.0	47.0	39.0						
3.0	73.0	48.3	44.3	39.0					
4.0	66.7	47.0	42.2	36.8	28.9				
5.0	49.8	46.7	39.5	34.5	27.6	22.7			
6.0	38.1	38.4	36.5	32.8	26.4	21.8	17.3	11.7	
7.0	29.8	31.3	30.5	28.9	25.2	20.9	16.8	11.7	8.6
8.0	24.1	25.6	25.9	24.6	23.8	20.2	16.2	11.7	8.6
9.0	19.9	21.4	21.9	21.4	20.4	19.4	15.7	11.7	8.6
10.0		18.2	18.7	19.4	17.7	16.7	15.2	11.5	8.6
12.0		13.7	14.6	14.8	14.1	14.8	13.2	10.9	8.6
14.0		9.2	11.5	11.8	11.9	11.7	11.3	10.4	8.5
16.0			9.3	9.5	9.7	9.6	9.2	8.6	8.1
18.0			6.7	7.9	8.0	7.9	7.7	7.0	6.8
20.0				6.6	6.7	6.6	6.4	5.8	5.6
22.0				5.5	5.7	5.6	5.4	4.9	4.7
24.0					4.8	4.7	4.6	4.1	3.9
26.0					4.1	4.0	3.9	3.4	3.2
28.0						3.3	3.2	2.9	2.6
30.0						2.8	2.7	2.3	2.1
32.0							2.2	1.9	1.6
34.0							1.7	1.4	1.2
36.0								1.0	0.8
38.0								0.7	
40.0									
42.0									
<b>Number of falls</b>	10	6	6	6	4	4	2	2	2

Tab. no.: 6103R75\_1790\_14\_3+170\_09.20\_HA\_1.5°

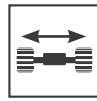
# LOAD RATINGS



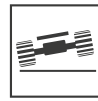
**MAIN BOOM**  
HA 46.8 m



**BALLAST**  
14.3 t



**TRACK WIDTH**  
2.68 m



**MAX. INCLINATION**  
1.5 °



**UNDERCARRIAGE BALLAST**  
17.0 T

CRANE EQUIPMENT

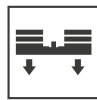
RADIUS [m]	BOOM LENGTH [m]								
	12.5	16.5	20.8	25.1	29.3	33.5	38.0	42.4	46.8
2.5									
3.0									
4.0	49.9	45.9	41.4						
5.0	37.9	36.9	33.8	30.9					
6.0	29.3	29.8	28.5	26.9	24.7	20.5			
7.0	23.1	24.5	23.9	23.4	21.8	20.4	16.8	11.7	8.6
8.0	18.7	20.1	20.8	20.1	18.6	18.4	16.2	11.7	8.6
9.0	15.5	16.9	17.7	17.5	17.0	16.2	15.0	11.7	8.6
10.0		14.4	15.2	15.4	15.0	14.3	13.6	11.5	8.6
12.0		10.8	11.6	11.8	11.8	11.3	10.7	10.0	8.6
14.0		6.8	9.1	9.3	9.4	9.0	8.5	7.9	7.5
16.0			7.3	7.5	7.7	7.3	6.9	6.3	6.0
18.0			4.9	6.1	6.3	6.0	5.6	5.0	4.8
20.0				5.0	5.2	5.0	4.6	4.1	3.9
22.0				4.1	4.3	4.2	3.8	3.3	3.1
24.0					3.5	3.4	3.2	2.6	2.4
26.0					2.9	2.8	2.6	2.1	1.8
28.0						2.2	2.1	1.6	1.3
30.0						1.7	1.6	1.2	0.9
32.0							1.2	0.9	
34.0							0.8	0.5	
36.0									
38.0									
40.0									
42.0									
<b>Number of falls</b>	6	6	6	4	4	4	2	2	2

Tab. no.: 6103R-75\_1410\_14\_3+170\_09.20\_HA\_1.5°

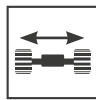




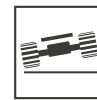
**MAIN BOOM**  
HA 46.8 m



**BALLAST**  
0.0 t



**TRACK WIDTH**  
3.44 m



**MAX. INCLINATION**  
1.5 °



**UNDERCARRIAGE BALLAST**  
0.0 T

Tab. no.: 6103R-75\_1790\_0.0+0.0\_10.20\_HA\_1.5°

RADIUS [m]	BOOM LENGTH [m]								
	12.5	16.5	20.8	25.1	29.3	33.5	38.0	42.4	46.8
2.5	72.5	47.0	39.0						
3.0	50.9	47.0	42.1	37.7					
4.0	33.4	32.3	30.6	28.2	28.0				
5.0	24.1	24.0	23.3	21.9	20.6				
6.0	18.3	18.7	18.5	17.6	16.7				
7.0	14.1	15.0	14.9	14.4	13.8				
8.0	10.9	12.2	12.1	11.8	11.5				
9.0	8.6	10.0	10.1	9.8	9.5				
10.0		8.2	8.5	8.2	8.0				
12.0		5.7	6.1	6.0	5.8				
14.0		2.1	4.6	4.5	4.3				
16.0			3.4	3.4	3.2				
18.0			1.3	2.6	2.4				
20.0				1.9	1.8				
22.0				1.2	1.3				
24.0					0.9				
<b>Number of falls</b>	10	6	6	6	4				



**MAIN BOOM**  
HA 46.8 m



**BALLAST**  
0.0 t



**TRACK WIDTH**  
4.2 m



**MAX. INCLINATION**  
1.5 °



**UNDERCARRIAGE BALLAST**  
0.0 T

Tab. no.: 6103R-75\_2170\_0.0+0.0\_10.20\_HA\_1.5°

RADIUS [m]	BOOM LENGTH [m]								
	12.5	16.5	20.8	25.1	29.3	33.5	38.0	42.4	46.8
2.5	80.0	47.0	39.0						
3.0	73.0	48.3	44.3	39.0					
4.0	46.1	43.6	40.1	36.8	28.9				
5.0	32.6	31.9	30.0	28.7	26.6				
6.0	24.7	24.7	24.2	22.9	22.0				
7.0	18.8	19.8	19.7	18.8	18.1				
8.0	14.6	16.1	16.2	15.7	15.2				
9.0	11.6	13.1	13.5	13.2	12.9				
10.0		10.8	11.4	11.1	10.9				
12.0		7.7	8.5	8.3	8.1				
14.0		3.8	6.4	6.3	6.2				
16.0			4.9	5.0	4.8				
18.0			2.5	3.9	3.8				
20.0				3.0	3.0				
22.0				2.2	2.4				
24.0					1.8				
26.0					1.2				
<b>Number of falls</b>	10	6	6	6	4				

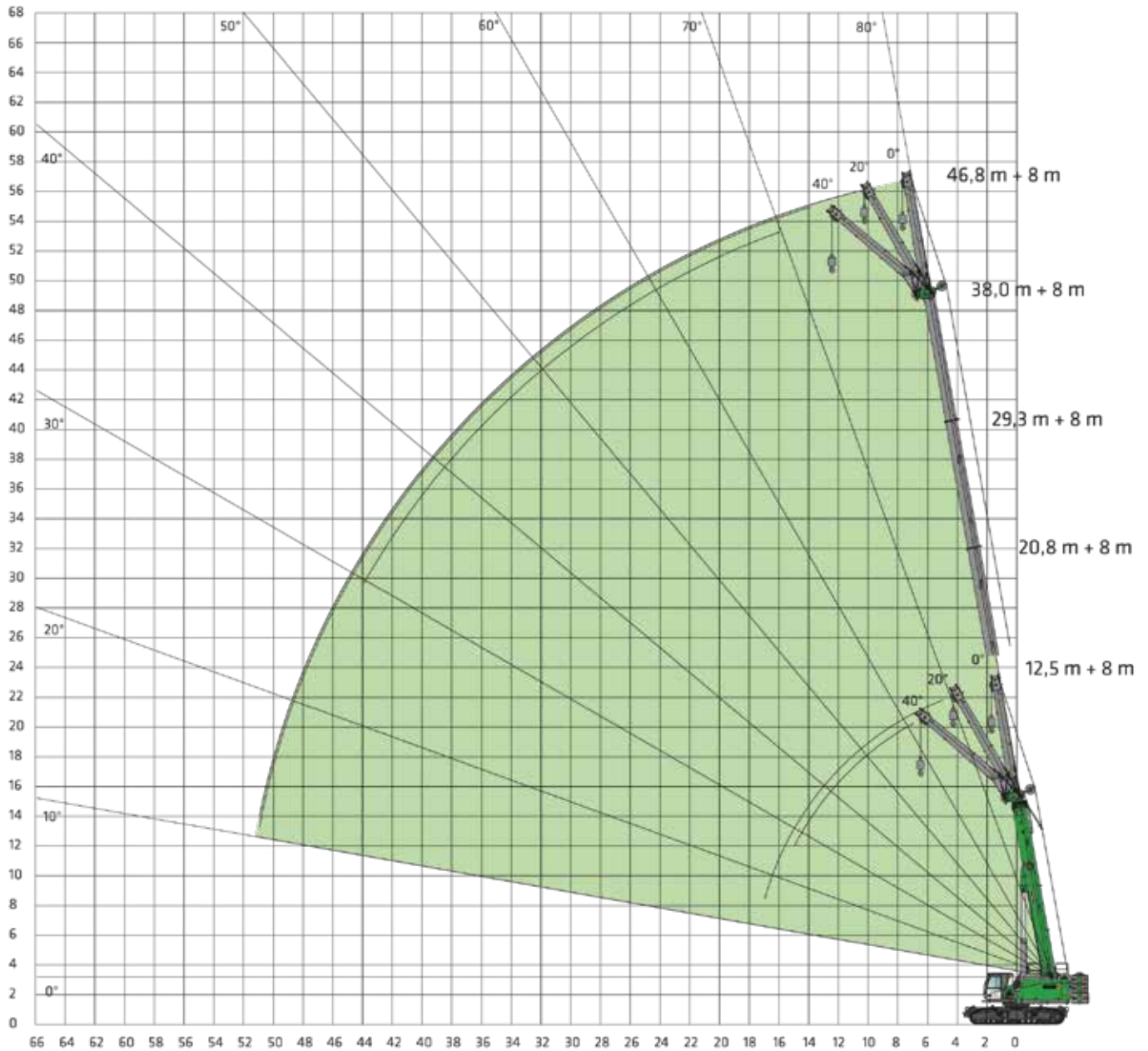
CRANE EQUIPMENT

# CRANE EQUIPMENT

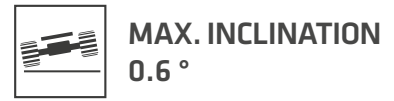
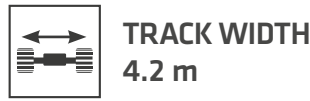


FLY JIB  
SA 8 m

CRANE EQUIPMENT



# LOAD RATINGS



RADIUS [m]	BOOM LENGTH [m]														
	12.5			20.8			29.3			38.0			46.8		
	8.0			8.0			8.0			8.0			8.0		
	0°	20°	40°	0°	20°	40°	0°	20°	40°	0°	20°	40°	0°	20°	40°
4.0	15.0			15.0											
5.0	14.0	10.2		14.5											
6.0	12.9	9.6		13.7	9.8		12.8								
7.0	11.9	9.0	7.2	12.9	9.4		12.3								
8.0	10.9	8.5	6.9	12.2	9.0	6.9	11.8			10.4					
9.0	10.2	8.0	6.7	11.5	8.6	6.7	11.3	8.6		10.2					
10.0	9.5	7.6	6.5	10.9	8.3	6.5	10.9	8.3		10.0			7.0		
12.0	8.2	6.9	6.1	9.9	7.7	6.2	10.1	7.9	6.4	9.5	7.7		7.0		
14.0	7.2	6.4	5.8	9.0	7.2	6.0	9.4	7.4	6.1	9.1	7.3	6.0	7.0	6.9	
16.0	6.4	6.1	5.6/15 m	8.2	6.7	5.8	8.8	7.0	5.9	8.6	7.0	5.8	7.0	6.7	5.6
18.0	6.0/17 m	6.0/17 m		7.5	6.4	5.6	8.0	6.7	5.7	8.1	6.7	5.7	7.0	6.5	5.5
20.0				6.9	6.1	5.4	7.3	6.4	5.5	7.4	6.5	5.5	7.0	6.3	5.4
22.0				6.4	5.9	5.2	6.7	6.1	5.4	6.7	6.2	5.4	6.7	6.1	5.2
24.0				6.0	5.7		6.2	5.9	5.2	6.1	6.0	5.2	6.2	5.9	5.1
26.0				5.8/25 m	5.6/25 m		5.7	5.6	5.1	5.6	5.6	5.1	5.8	5.7	5.0
28.0							5.3	5.2	5.1	5.2	5.2	5.0	5.5	5.4	4.9
30.0							4.9	4.8	5.0/29 m	4.8	4.8	4.8	5.1	5.1	4.8
32.0							4.2	4.5		4.4	4.4	4.5	4.8	4.7	4.7
34.0							3.9/33 m	4.0/33 m		4.0	4.1	4.1	4.5	4.5	4.5
36.0										3.4	3.8	3.7	3.8	4.2	4.2
38.0										2.8	3.0		3.3	3.5	3.9
40.0										2.4	2.5		2.9	3.0	3.2
42.0										2.0	2.1		2.5	2.6	2.7
44.0													2.1	2.2	2.3
46.0													1.8	1.9	
48.0													1.4	1.5	
50.0													1.2	1.2	
52.0													1.0/51 m	1.0/51 m	
Number of falls	2	2	2	2	2	2	2	2	2	2	2	2	2	2	2

Tab.no.: 6103R-75/2170/28.2+170/05.20 SA8

CRANE EQUIPMENT

# CRANE EQUIPMENT



FLY JIB  
SA 15 m

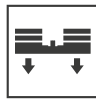
CRANE EQUIPMENT



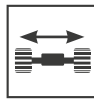
# LOAD RATINGS



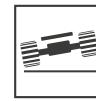
FLY JIB  
SA 15 m



BALLAST  
28.2 t



TRACK WIDTH  
4.2 m



MAX. INCLINATION  
0.6 °



UNDERCARRIAGE BALLAST  
17.0 T

RADIUS [m]	BOOM LENGTH [m]														
	12.5			20.8			29.3			38.0			46.8		
	15.0			15.0			15.0			15.0			15.0		
	0°	20°	40°	0°	20°	40°	0°	20°	40°	0°	20°	40°	0°	20°	40°
4.0	5.9														
5.0	5.7			5.3											
6.0	5.4			5.2											
7.0	5.1			5.1			4.7								
8.0	4.8	3.8		5.0			4.6								
9.0	4.5	3.7		4.8			4.5			4.0					
10.0	4.2	3.5		4.6	3.5		4.5			4.0					
12.0	3.7	3.2	2.6/13 m	4.2	3.3		4.3	3.3/13 m		4.0			3.1		
14.0	3.4	3.0	2.5	3.8	3.0	2.5	4.1	3.2		3.9	3.0/15 m		3.1		
16.0	3.1	2.8	2.4	3.5	2.9	2.4	3.8	3.0	2.5	3.8	3.0		3.1	2.9/17 m	
18.0	2.8	2.6	2.3	3.2	2.7	2.4	3.6	2.9	2.4	3.6	2.9	2.3	3.1	2.8	
20.0	2.6	2.5	2.2	3.0	2.6	2.3	3.3	2.8	2.3	3.5	2.7	2.3	3.1	2.7	2.2/21 m
22.0	2.4	2.4	2.2	2.8	2.5	2.2	3.1	2.6	2.2	3.3	2.6	2.3	3.1	2.6	2.2
24.0	2.2	2.2		2.6	2.4	2.2	3.0	2.5	2.2	3.1	2.5	2.2	3.0	2.5	2.2
26.0				2.5	2.3	2.1	2.8	2.4	2.1	3.0	2.5	2.2	2.9	2.4	2.1
28.0				2.3	2.2	2.1	2.7	2.3	2.1	2.8	2.4	2.1	2.9	2.4	2.1
30.0				2.2	2.2		2.5	2.3	2.1	2.7	2.3	2.1	2.8	2.3	2.1
32.0				2.1/31 m	2.1		2.4	2.2	2.1	2.6	2.2	2.0	2.7	2.2	2.0
34.0							2.3	2.1	2.1	2.5	2.2	2.0	2.6	2.2	2.0
36.0							2.2	2.1	2.1	2.4	2.1	2.0	2.5	2.1	2.0
38.0							2.1	2.1		2.3	2.1	2.0	2.4	2.1	1.9
40.0							2.1	2.1		2.2	2.0	2.0	2.3	2.0	1.9
42.0										2.1	2.0	2.0	2.2	2.0	1.9
44.0										2.1	2.0		2.1	2.0	1.9
46.0										2.0	2.0		2.1	1.9	1.9
48.0										1.5	1.7		2.0	1.9	1.9
50.0										1.4/49 m			1.5	1.9	1.9
52.0													1.3	1.5	
54.0													1.0	1.2	
56.0														0.9	
Number of falls	1	1	1	1	1	1	1	1	1	1	1	1	1	1	1

Tab.no.: 6103R-75/2170/28.2-17.0/05.20 SA15

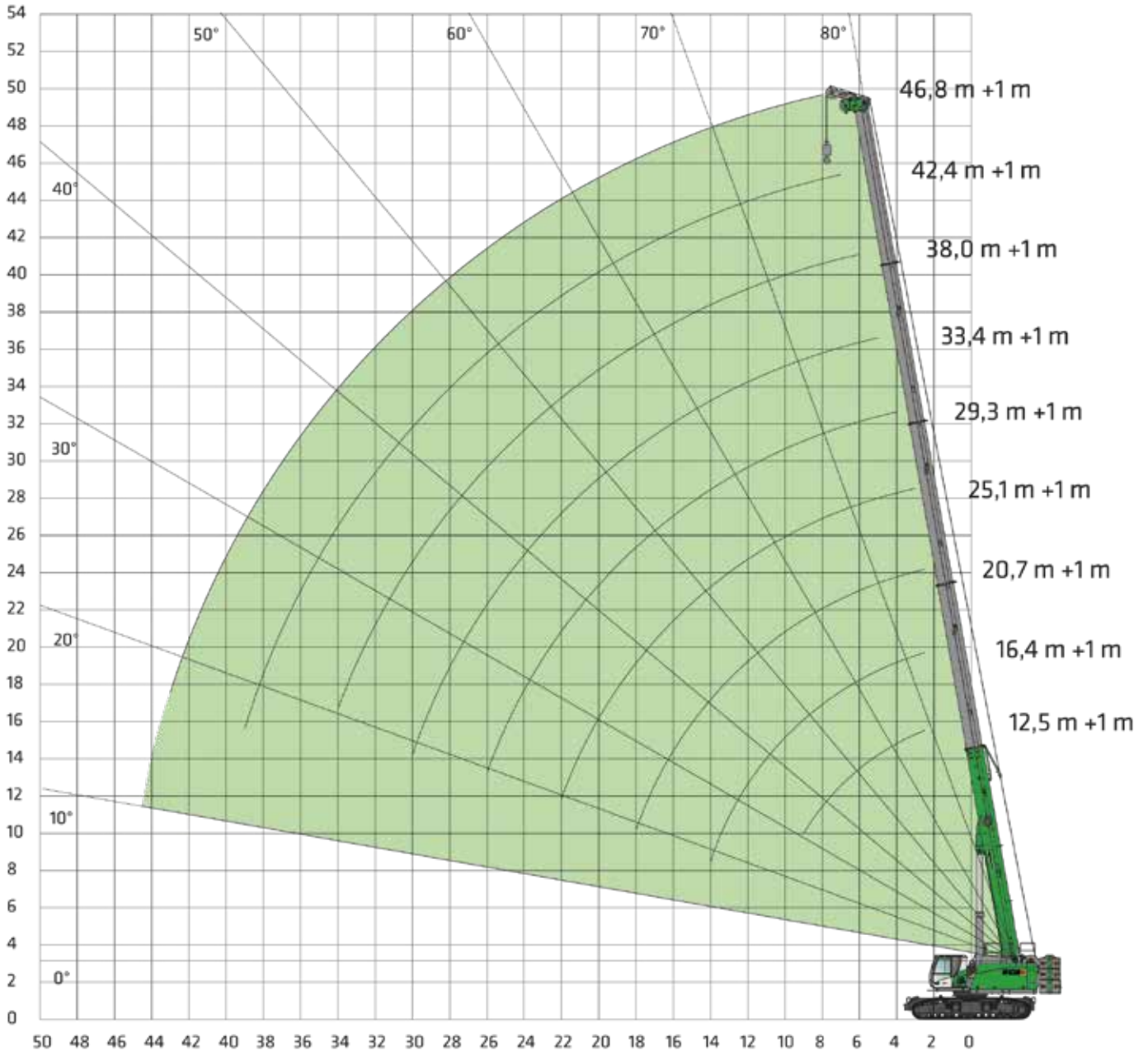
CRANE EQUIPMENT

# CRANE EQUIPMENT



AUXILIARY JIB  
HA-S

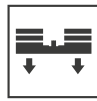
CRANE EQUIPMENT



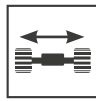
# LOAD RATINGS



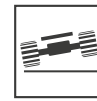
AUXILIARY JIB  
HA-S



BALLAST  
28.2 t



TRACK WIDTH  
4.2 m



MAX. INCLINATION  
0.6 °



UNDERCARRIAGE BALLAST  
17.0 T

RADIUS [m]	BOOM LENGTH [m]								
	12.5	16.5	20.8	25.1	29.3	33.5	38.0	42.4	46.8
	1.0	1.0	1.0	1.0	1.0	1.0	1.0	1.0	1.0
2.5	9.0	9.0	9.0						
3.0	9.0	9.0	9.0	9.0	9.0				
4.0	9.0	9.0	9.0	9.0	9.0	9.0			
5.0	9.0	9.0	9.0	9.0	9.0	9.0	9.0		
6.0	9.0	9.0	9.0	9.0	9.0	9.0	9.0	9.0	
7.0	9.0	9.0	9.0	9.0	9.0	9.0	9.0	9.0	9.0
8.0	9.0	9.0	9.0	9.0	9.0	9.0	9.0	9.0	9.0
9.0	9.0	9.0	9.0	9.0	9.0	9.0	9.0	9.0	9.0
10.0		9.0	9.0	9.0	9.0	9.0	9.0	9.0	9.0
12.0		9.0	9.0	9.0	9.0	9.0	9.0	9.0	9.0
14.0		9.0	9.0	9.0	9.0	9.0	9.0	9.0	9.0
16.0			9.0	9.0	9.0	9.0	9.0	9.0	9.0
18.0			9.0	9.0	9.0	9.0	9.0	9.0	9.0
20.0				9.0	9.0	9.0	9.0	9.0	9.0
22.0				9.0	9.0	9.0	8.4	8.0	8.3
24.0					9.0	8.7	7.6	7.0	7.7
26.0					7.9	8.0	7.0	6.2	7.1
28.0						7.1	6.4	5.6	6.5
30.0						6.3	5.9	5.1	5.7
32.0							5.5	4.6	5.0
34.0							5.0	4.3	4.4
36.0								4.0	3.8
38.0								3.7	3.3
40.0									2.9
42.0									2.4
Number of falls	1	1	1	1	1	1	1	1	1

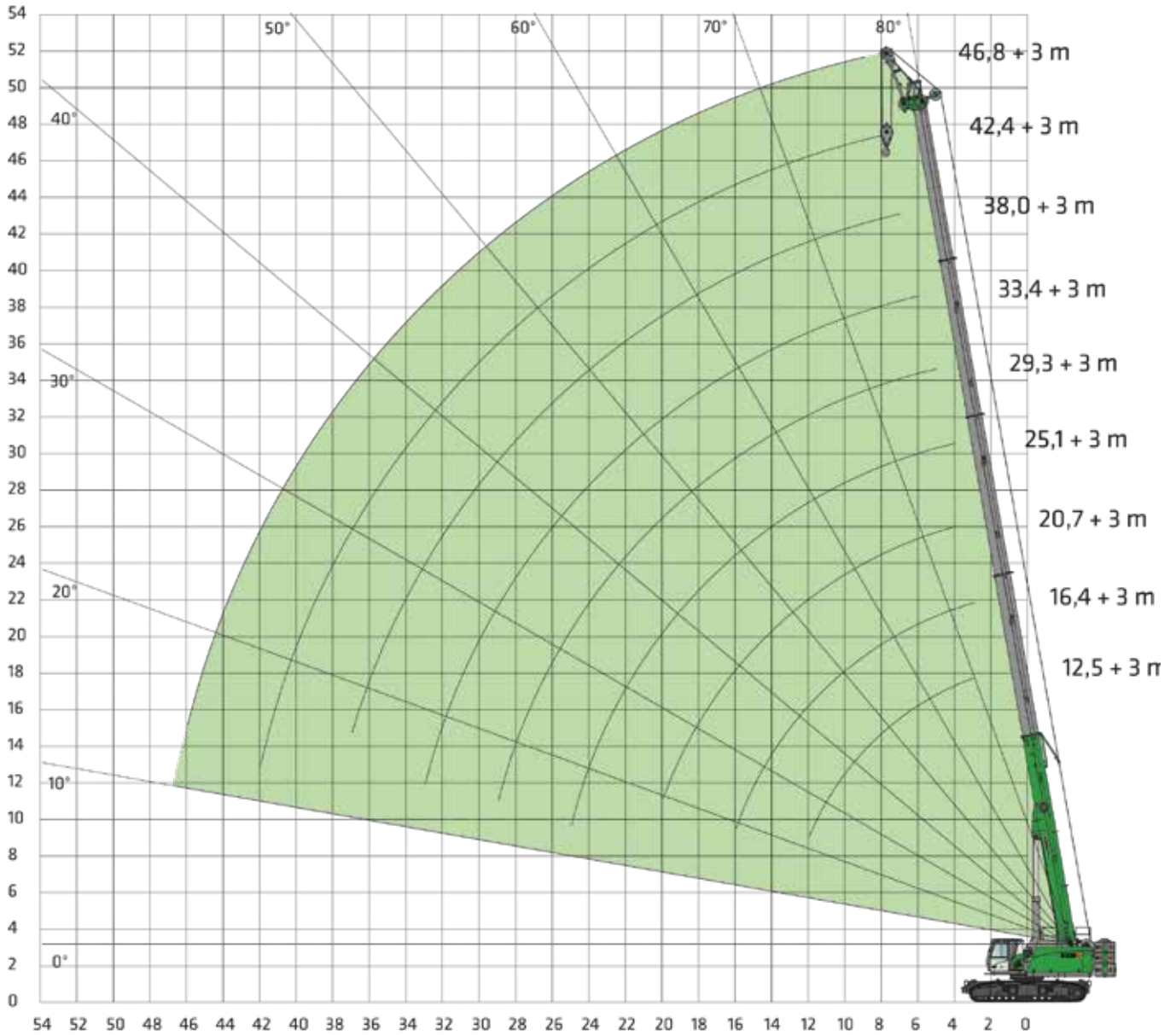
Tab. no.: 6103R/75\_2170\_28.2+17.0\_07.20\_HA-S\_0.6°

# CRANE EQUIPMENT



**MAIN BOOM**  
HA 46.8 m + SLS (heavy-duty jib)

CRANE EQUIPMENT

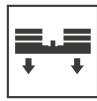




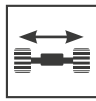
# LOAD RATINGS



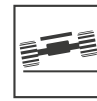
**MAIN BOOM**  
HA 46.8 m + SLS



**BALLAST**  
28.2 t



**TRACK WIDTH**  
4.2 m



**MAX. INCLINATION**  
0.6 °



**UNDERCARRIAGE BALLAST**  
17.0 T

RADIUS [m]	BOOM LENGTH [m]								
	12.5	16.5	20.8	25.1	29.3	33.5	38.0	42.4	46.8
3.0	27.0	27.0							
4.0	27.0	27.0	27.0	27.0					
5.0	27.0	27.0	27.0	27.0	27.0				
6.0	27.0	27.0	27.0	27.0	27.0	24.9			
7.0	26.3	27.0	27.0	27.0	27.0	23.9	18.0		
8.0	25.2	27.0	27.0	27.0	27.0	22.9	17.0	14.1	
9.0	24.3	26.2	27.0	27.0	26.8	22.0	16.0	13.8	11.0
10.0	23.6	25.4	26.5	27.0	25.9	21.2	15.1	13.5	11.0
12.0	23.0	24.0	24.1	23.7	23.9	19.2	13.6	12.7	11.0
14.0		19.2	19.8	19.7	19.3	17.0	12.3	11.4	10.7
16.0		15.7	16.3	16.2	15.8	15.1	11.3	10.3	10.0
18.0			13.6	13.6	13.2	12.9	10.3	9.4	9.2
20.0			11.6	11.5	11.2	11.8	9.5	8.5	8.5
22.0				9.9	10.1	9.9	8.8	7.8	7.9
24.0				8.5	8.9	8.6	8.2	7.2	7.3
26.0					7.8	7.5	7.6	6.6	6.7
28.0					6.8	6.6	6.6	6.1	6.3
30.0						6.2	5.8	5.6	5.8
32.0						5.4	5.1	5.2	4.8
34.0							4.5	4.4	4.1
36.0							4.0	3.8	3.6
38.0								3.3	3.0
40.0								2.8	2.6
42.0								2.4	2.2
44.0									1.8
46.0									1.4
<b>Number of falls</b>	3	3	3	3	3	3	3	3	3

Tab.no.: 6103R-75\_2170\_28.2+170\_12.20\_SLS\_0.6°

CRANE EQUIPMENT

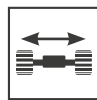
# LOAD RATINGS



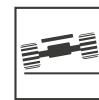
**MAIN BOOM**  
HA 46.8 m + SLS



**BALLAST**  
28.2 t



**TRACK WIDTH**  
4.2 m



**MAX. INCLINATION**  
1.5 °



**UNDERCARRIAGE BALLAST**  
17.0 T

CRANE EQUIPMENT

	BOOM LENGTH [m]								
	12.5	16.5	20.8	25.1	29.3	33.5	38.0	42.4	46.8
RADIUS [m]	3.0	3.0	3.0	3.0	3.0	3.0	3.0	3.0	3.0
3.0	27.0	27.0							
4.0	27.0	27.0	27.0	27.0					
5.0	26.3	27.0	27.0	26.7	21.9				
6.0	25.1	26.6	27.0	25.8	21.0	17.3			
7.0	24.1	25.6	26.2	24.7	20.2	16.8	13.6		
8.0	23.2	24.7	25.4	23.8	19.4	16.2	13.3	9.5	7.1
9.0	22.5	24.0	24.7	22.8	18.7	15.7	13.0	9.5	7.1
10.0	22.0	23.3	24.0	21.9	18.0	15.2	12.7	9.6	7.1
12.0	21.6	22.2	22.8	20.3	16.8	14.4	12.0	9.6	7.1
14.0		18.9	19.5	18.9	15.7	13.5	11.4	9.5	7.2
16.0		15.4	16.0	15.9	14.7	12.8	10.8	9.2	7.2
18.0			13.4	13.3	13.0	12.1	10.1	8.8	6.9
20.0			11.4	11.3	10.9	11.4	9.3	8.4	6.7
22.0				9.7	10.0	9.7	8.6	8.0	6.3
24.0				8.4	8.7	8.4	8.0	7.5	6.0
26.0					7.6	7.3	7.5	6.9	5.7
28.0					6.7	6.5	6.5	6.3	5.3
30.0						6.1	5.7	5.8	5.0
32.0						5.3	5.0	4.9	4.7
34.0							4.3	4.3	4.0
36.0							4.0	3.7	3.4
38.0								3.2	2.9
40.0								2.7	2.5
42.0								2.3	2.0
44.0									1.7
46.0									
<b>Number of falls</b>	3	3	3	3	3	3	3	3	3

Tab. no.: 6103R-75\_2170\_28.2+17.0\_12.20\_SLS\_1.5°

# LOAD CAPACITY SCHEDULES

MAIN BOOM HA				AUXILIARY JIB HA-S				HEAVY DUTY JIB SLS
-----------------	--	--	--	-----------------------	--	--	--	-----------------------



UNDERCARRIAGE TRACK WIDTH		4.2 m	3.44 m	2.68 m	4.2 m	3.44 m	2.68 m	4.2 m	3.44 m	2.68 m
<b>Ballast [t]</b>	<b>Undercarriage ballast [t]</b>									
28.2 t	17.0 t	360°	360°	-	360°	360°	-	360°	360°	-
14.3 t	17.0 t	360°	360°	360°	360°	360°	360°	360°	360°	360°
0 t	0 t	360°	360°	360°	360°	360°	360°	360°	360°	360°

CRANE EQUIPMENT

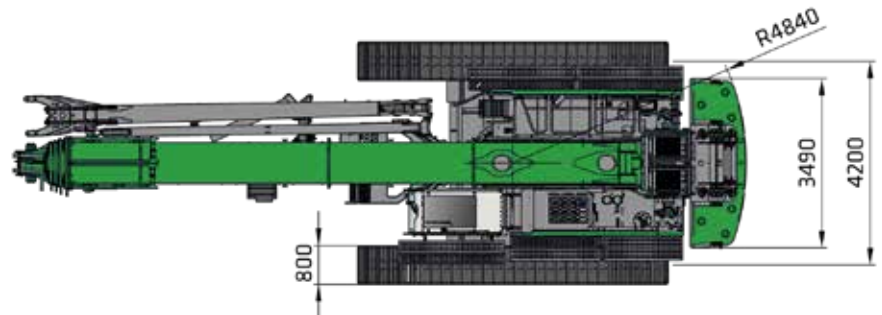
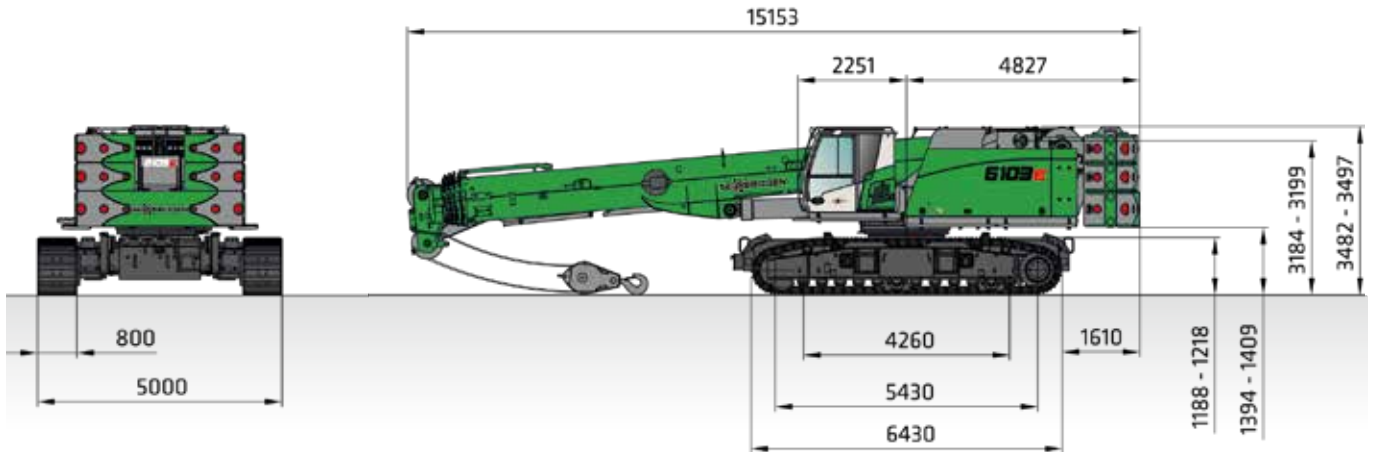
FLY JIB SA 8m				FLY JIB SA 15m
------------------	--	--	--	-------------------



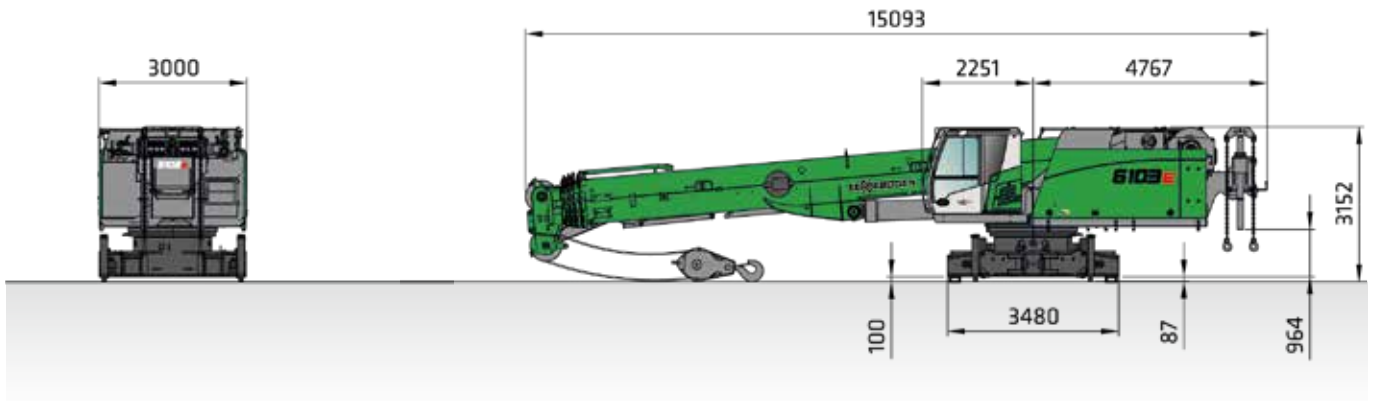
UNDERCARRIAGE TRACK WIDTH		4.2 m	3.44 m	2.68 m	4.2 m	3.44 m	2.68 m
<b>Ballast [t]</b>	<b>Undercarriage ballast [t]</b>						
28.2 t	17.0 t	360°	-	-	360°	-	-
14.3 t	17.0 t	-	-	-	-	-	-
0 t	0 t	-	-	-	-	-	-

# TRANSPORT DIMENSIONS

**i** **Weight:** approx. 106.9 t (2 winches, 15 m fly boom, 63 t hook, 17 t central ballast, 28.2 t ballast)  
**Dimensions:** 15.2 m x 3.5 m x 3.5 m



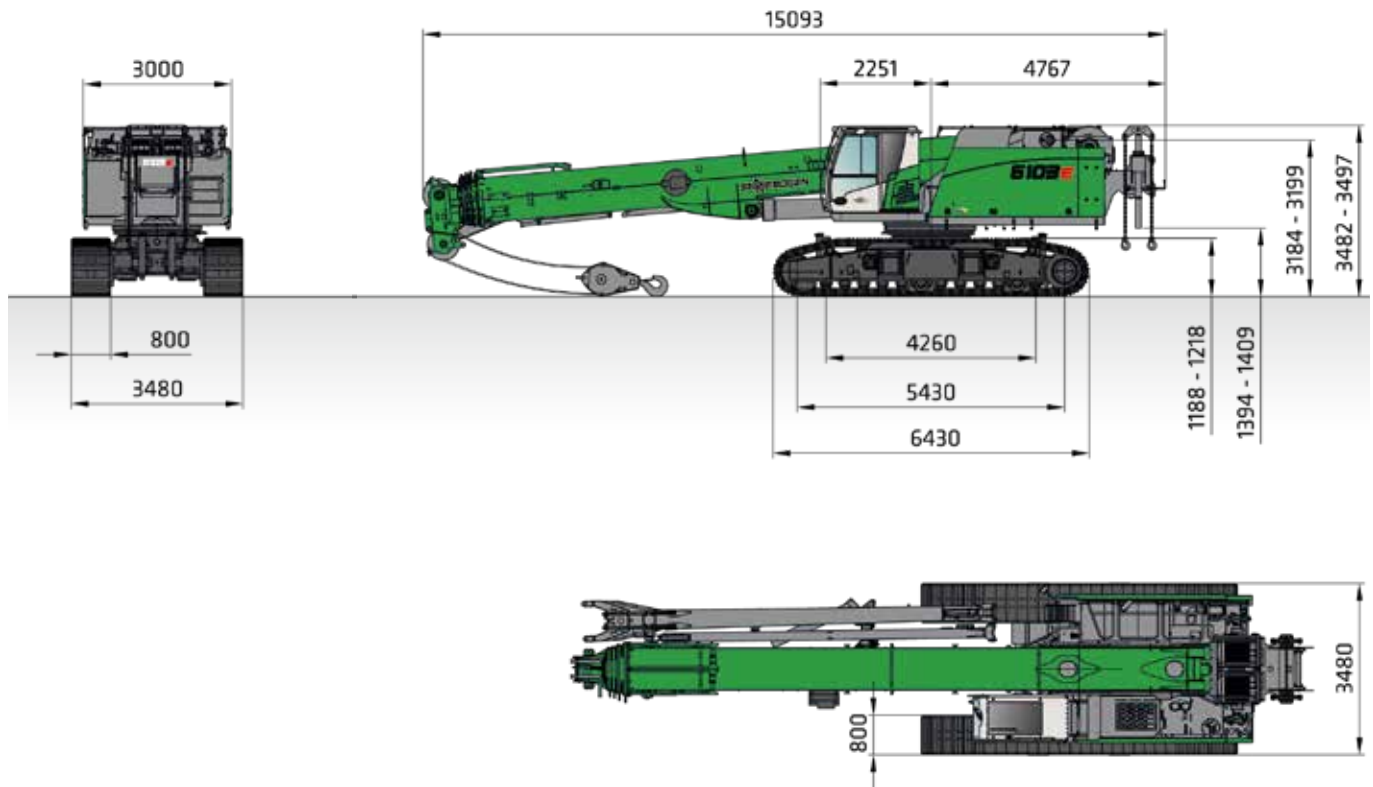
**i** **Weight:** approx. 42.3 t (2 winches, 15 m fly jib, 63 t hook, without ballast, without crawler tracks, without platform)  
**Dimensions:** 15.1 m x 3.0 m x 3.2 m



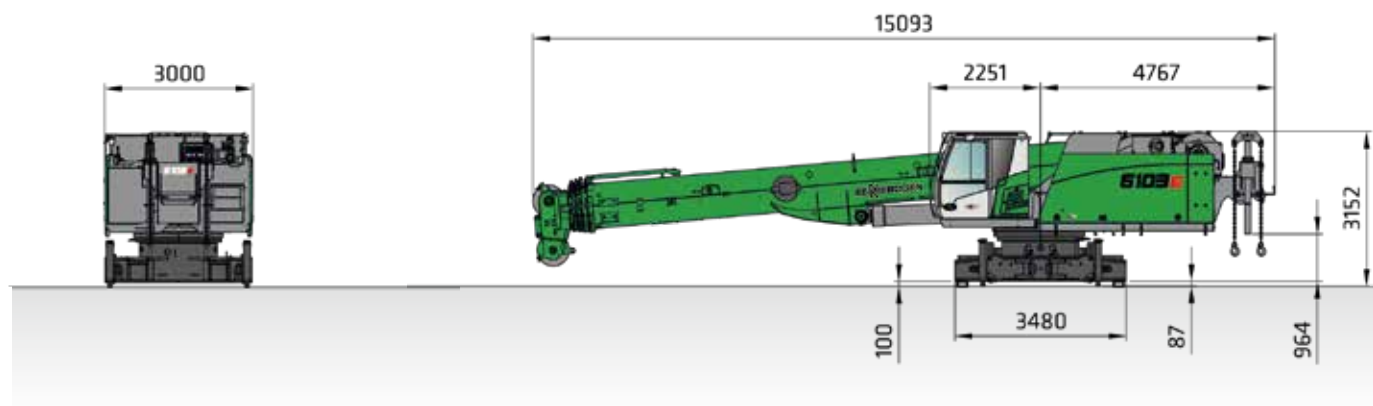
Dimensions in [mm]

# TRANSPORT DIMENSIONS

**i** **Weight:** approx. 61.0 t (2 winches, 15 m fly jib, 63 t hook, without crawler tracks, without platform)  
**Dimensions:** 15.1 m x 3.5 m x 3.5 m



**i** **Weight:** approx. 39.9 t (1 winch, without 15 m fly jib, without 63 t hook, without ballast, without crawler tracks, without platform)  
**Dimensions:** 15.1 m x 3.0 m x 3.2 m



Dimensions in [mm]

# TRANSPORT DIMENSIONS

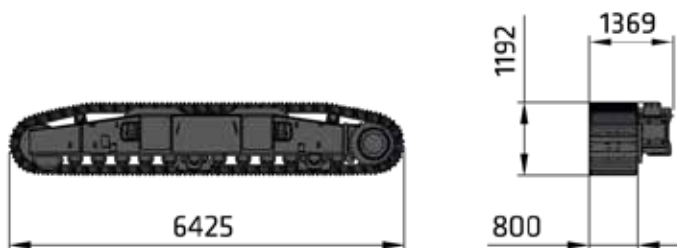
## CENTRAL BALLAST 2 X

**i** **Weight:**  
8500 kg each



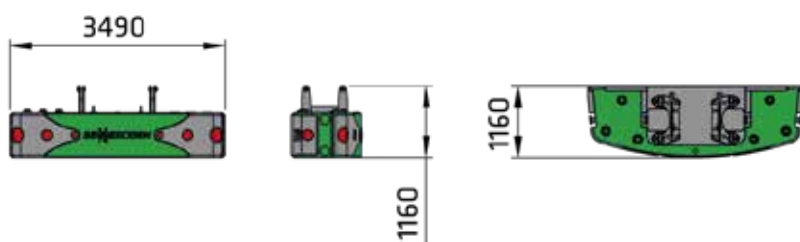
## CRAWLER 2 X

**i** **Weight:**  
9790 kg (800 mm / triple grouser)  
10660 kg (800 mm / flat)  
10140 kg (900 mm / triple grouser)  
11090 kg (900 mm / flat)



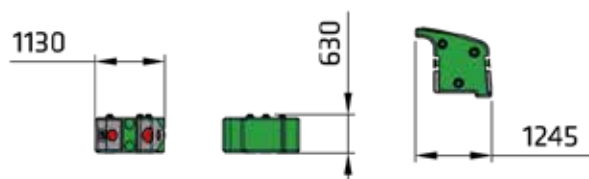
## BALLAST BASE PLATE

**i** **Weight:** 14150 kg



## BALLAST PLATE 4 X

**i** **Weight:** 3500 kg each



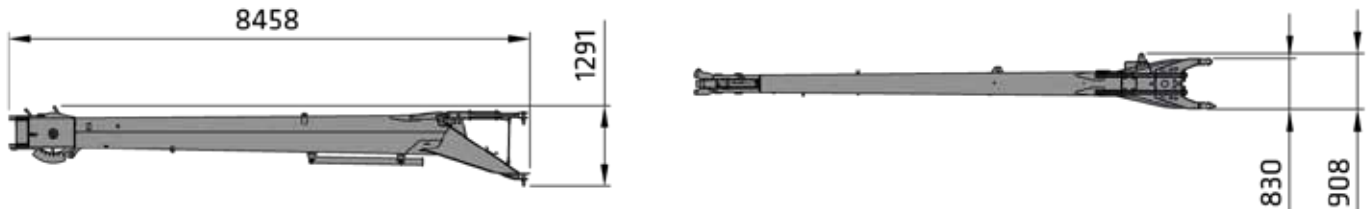
Dimensions in [mm]

TRANSPORT DIMENSIONS

# TRANSPORT DIMENSIONS

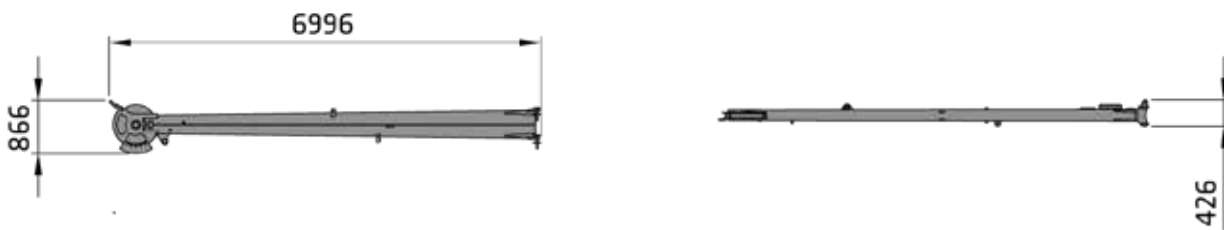
**FLY JIB 8 m SA80.2**

**i** Weight: 920 kg



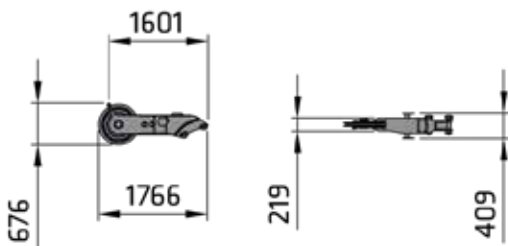
**FLY JIB EXTENSION 7 m SAV70.2**

**i** Weight: 300 kg



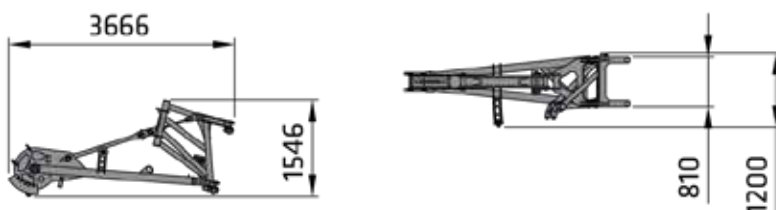
**AUXILIARY JIB S10**

**i** Weight: 160 kg



**HEAVY-DUTY JIB S36.3**

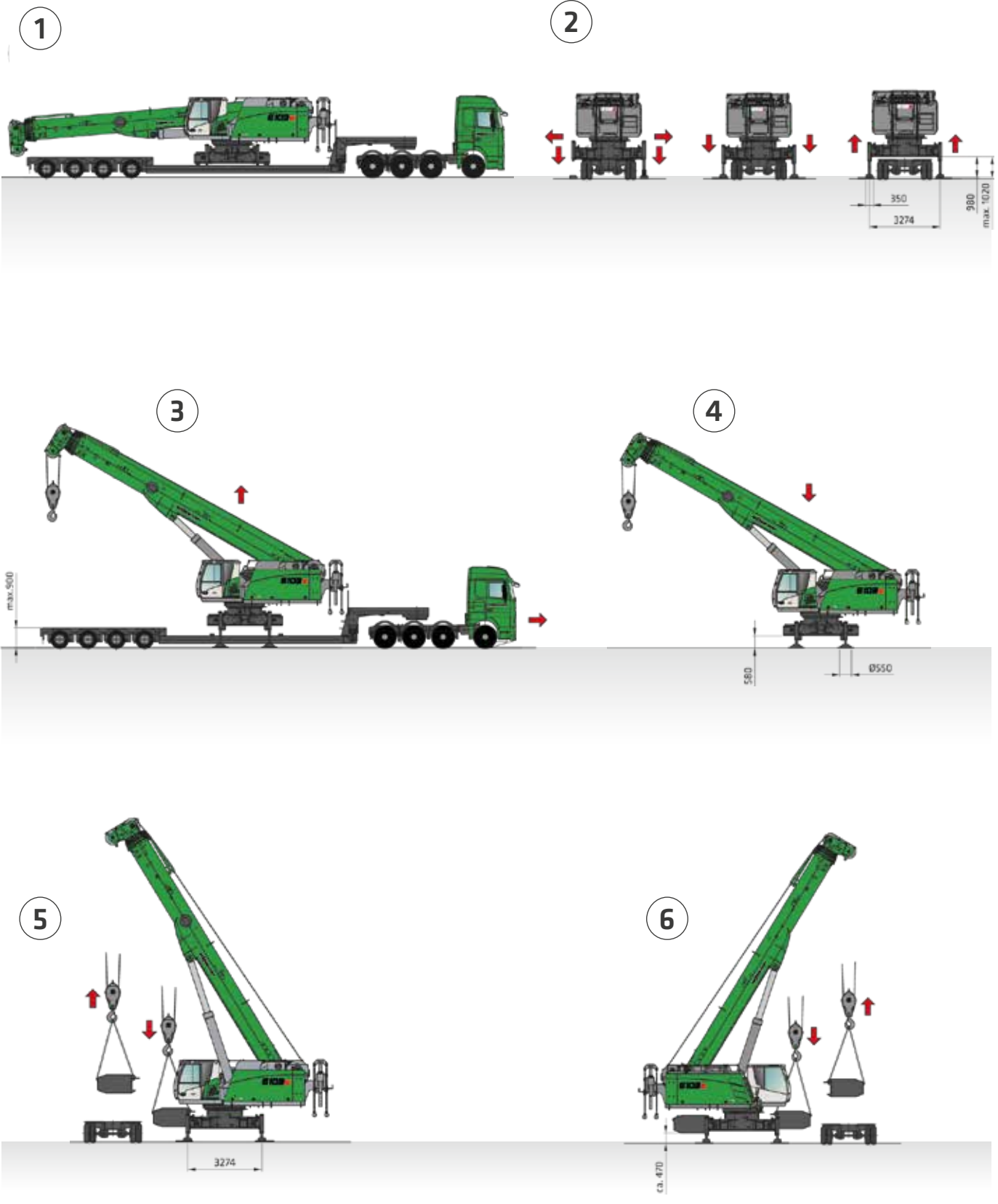
**i** Weight: approx. 700 kg



Dimensions in [mm]

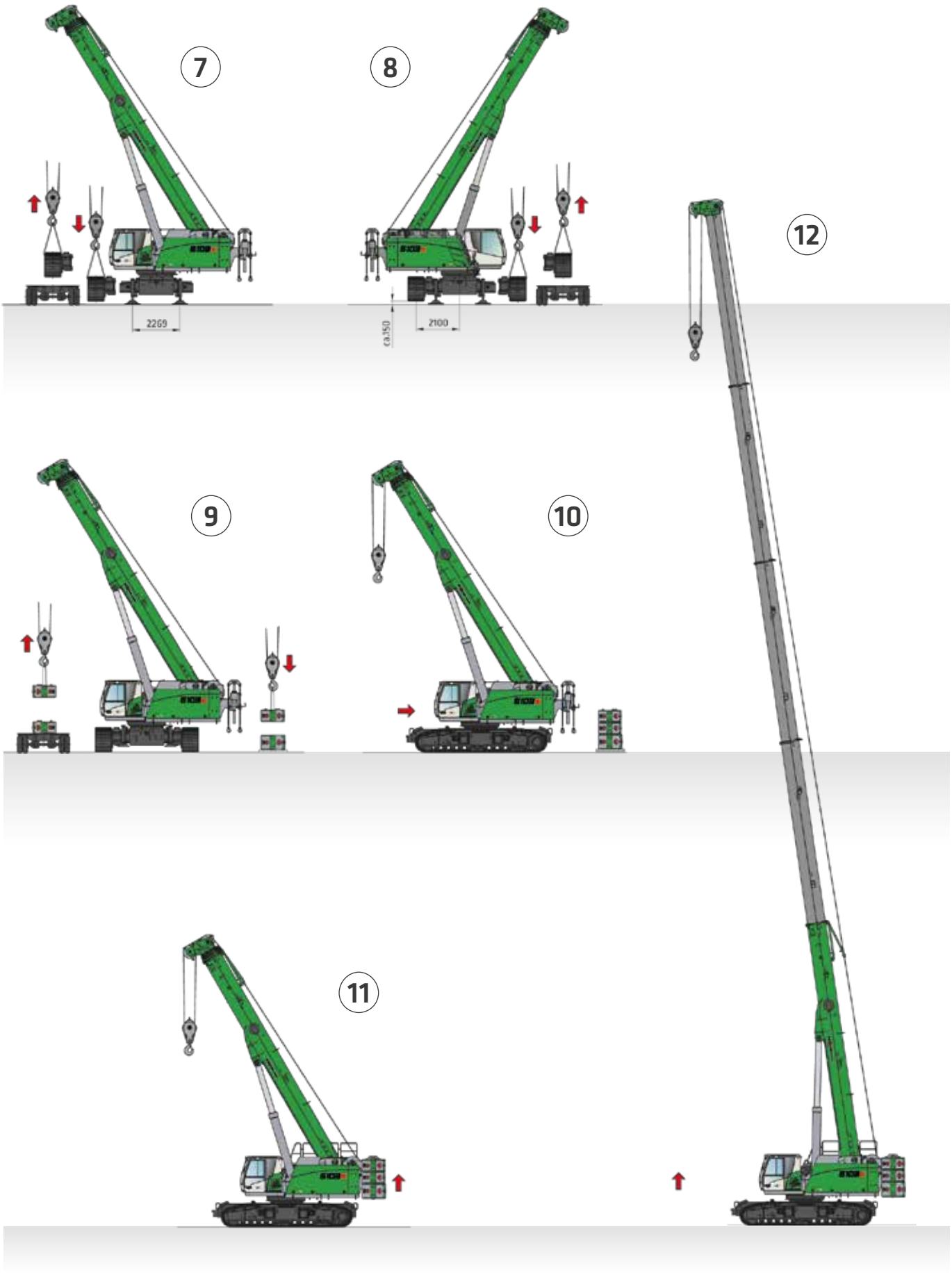
# SELF-ASSEMBLY SYSTEM WITH REMOVED CRAWLER TRACKS

**i** Transport width: 3.0 m



SELF-ASSEMBLY SYSTEM





SELF-ASSEMBLY SYSTEM

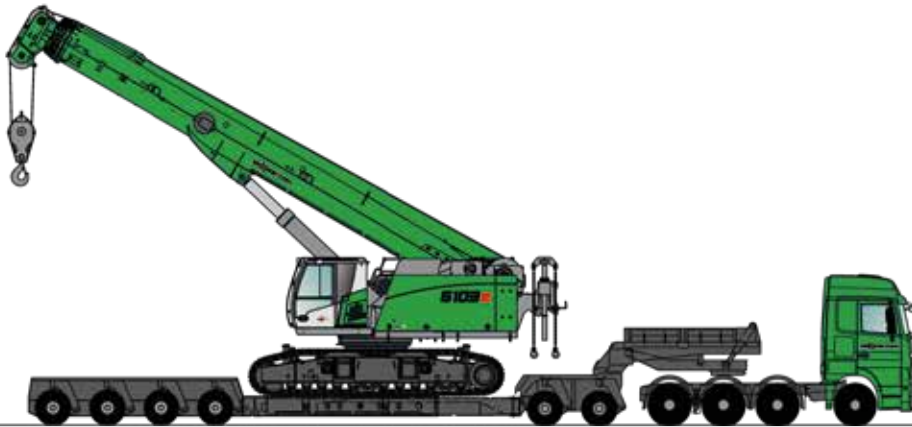
# SELF-ASSEMBLY SYSTEM WITH MOUNTED CRAWLER TRACKS

**i** Transport width: 3.5 m

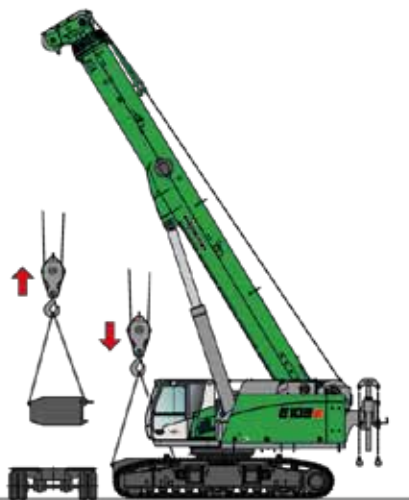
1



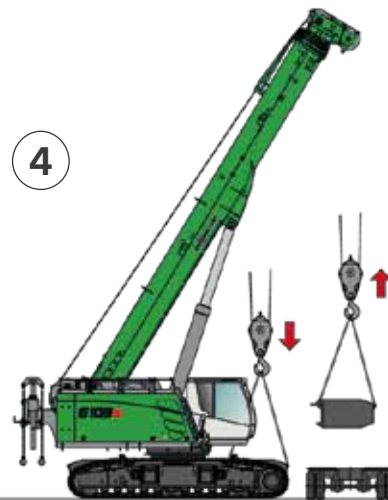
2

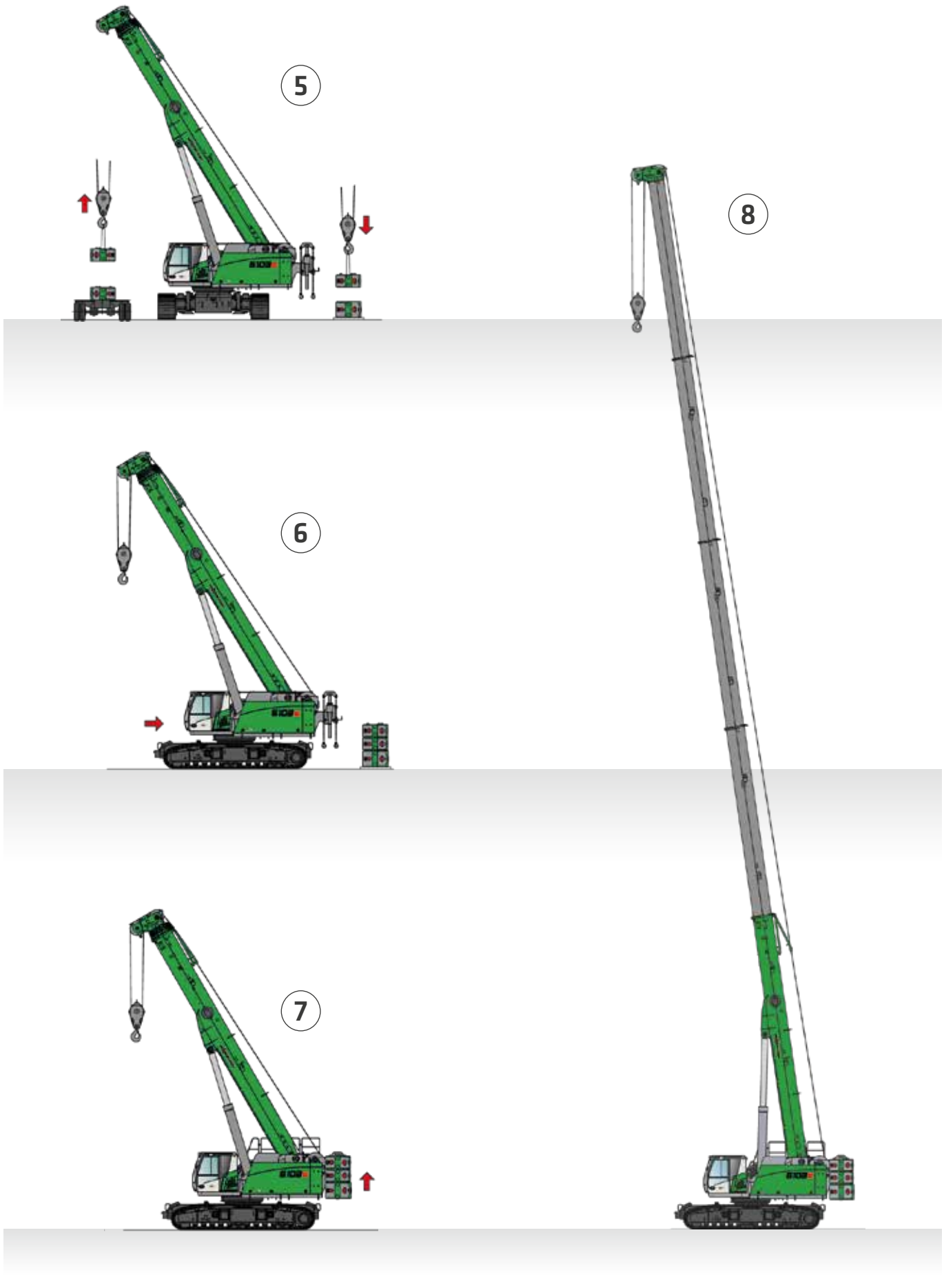


3



4



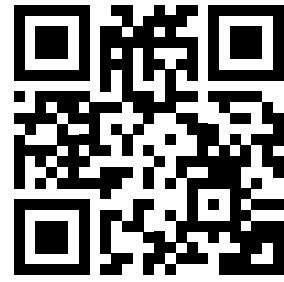


SELF-ASSEMBLY SYSTEM



Use in sewer construction; Germany

READ MORE



➤ [www.sennebogen.com/6103](http://www.sennebogen.com/6103)





### SENNEBOGEN ACADEMY

Increase your knowledge because success is based on knowledge. In the SENNEBOGEN ACADEMY we place great importance on ensuring it flows powerfully.

➔ [www.sennebogen-academy.com](http://www.sennebogen-academy.com)



### SERVICE AND MAINTENANCE

Comprehensive customer service. And supply of spare parts. Service is a TOP priority for us.

➔ [www.sennebogen.com/customer-service](http://www.sennebogen.com/customer-service)



### SENtrack

Manage your fleet efficiently with SENtrack: Use information that would otherwise stay hidden and increase your efficiency.

➔ [www.sennebogen.com/sentrack](http://www.sennebogen.com/sentrack)



### RENTAL & USED

Discover the unique range of rental machines available from SENNEBOGEN Rental & Used. Find your rental machine here:

➔ [www.sennebogen-rental-used.com](http://www.sennebogen-rental-used.com)

## JOIN OUR OPERATORS' CLUB

The spotlight is on you and your machine! We focus on exclusive information, sharing experiences with other SENNEBOGEN operators as well as fun and enthusiasm.

All the benefits here ➔ [www.sennebogen.com/operators-club](http://www.sennebogen.com/operators-club)



# MOVE BIG THINGS - WITH US!



over **70**  
years of  
experience

**100%**  
family company

over **1800**  
experienced  
specialists worldwide

**4**  
production plants in  
Germany

over **180**  
sales and service partners  
worldwide

**11**  
different telescopic  
cranes



Telehandler  
4-5.5 t

Balancer  
130-300 t

Material handler  
17-420 t

Duty cycle crane  
13.5-300 t

Crawler crane  
50-300 t

Telescopic crane  
16-130 t

Port crane  
300 t

# 6103E | Crawler

Order no. 295485  
6103R-E-012210

This catalog describes machine models, the scope of equipment of individual models, and configuration options (standard equipment and optional equipment) of the machines delivered by SENNEBOGEN Maschinenfabrik GmbH. Machine illustrations may contain optional and supplementary equipment. Actual equipment may vary depending on the country to which the machines are delivered, especially in regard to standard and optional equipment. All product designations used may be trademarks of SENNEBOGEN Maschinenfabrik GmbH or other supplying companies, and any use by third parties for their own purposes may violate the rights of the owners.

Please contact your local SENNEBOGEN sales partner for information concerning the equipment variants offered. Requested performance characteristics are only binding if they are expressly stipulated upon conclusion of the contract. Delivery options and technical features are subject to change. All information is supplied without liability. Equipment is subject to change, and rights of advancement are reserved. © SENNEBOGEN Maschinenfabrik GmbH, Straubing, Germany. Reproduction in whole or in part only with written consent of SENNEBOGEN Maschinenfabrik GmbH, Straubing, Germany.

**SENNEBOGEN**  
**Maschinenfabrik GmbH**  
Hebbelstraße 30  
94315 Straubing, Germany

 [www.sennebogen.com](http://www.sennebogen.com)

**MOVE BIG THINGS**

**SALES SENNEBOGEN**

**Sales Crane Line**

Phone: +49 9421 540-146

[cranes@sennebogen.de](mailto:cranes@sennebogen.de)

**SPARE PARTS CENTER**

**Spare parts orders**

[spareparts@sennebogen.de](mailto:spareparts@sennebogen.de)

**AFTER SALES**

**Technical support**

[service@sennebogen.de](mailto:service@sennebogen.de)

