



613E / Crawler

SENEBOGEN

16 t TELESCOPIC CRAWLER CRANE



100 kW



16 t



24 m



MULTI CAB

Stage V

613E

The compact one.

The 16 t telescopic crawler crane is a compact construction site crane that can be used in a wide range of ways. Its powerful Full Power Boom, manageable dimensions and excellent off-road mobility mean that it will quickly become the most important tool on your construction site.

This all-rounder impresses with sophisticated technology and masterful interplay. The ultra modern engine and exhaust system, the precise controls, and the powerful work hydraulics ensure maximum performance and a wide range of possible applications.

Ultimate ease of use

With a sound-proofed, flexibly mounted, elevating comfort MultiCab.

Fast on site and ready to use

With easy transportation including the ballast. Arrive at the construction site, unload, and off you go.

Maintenance & Service

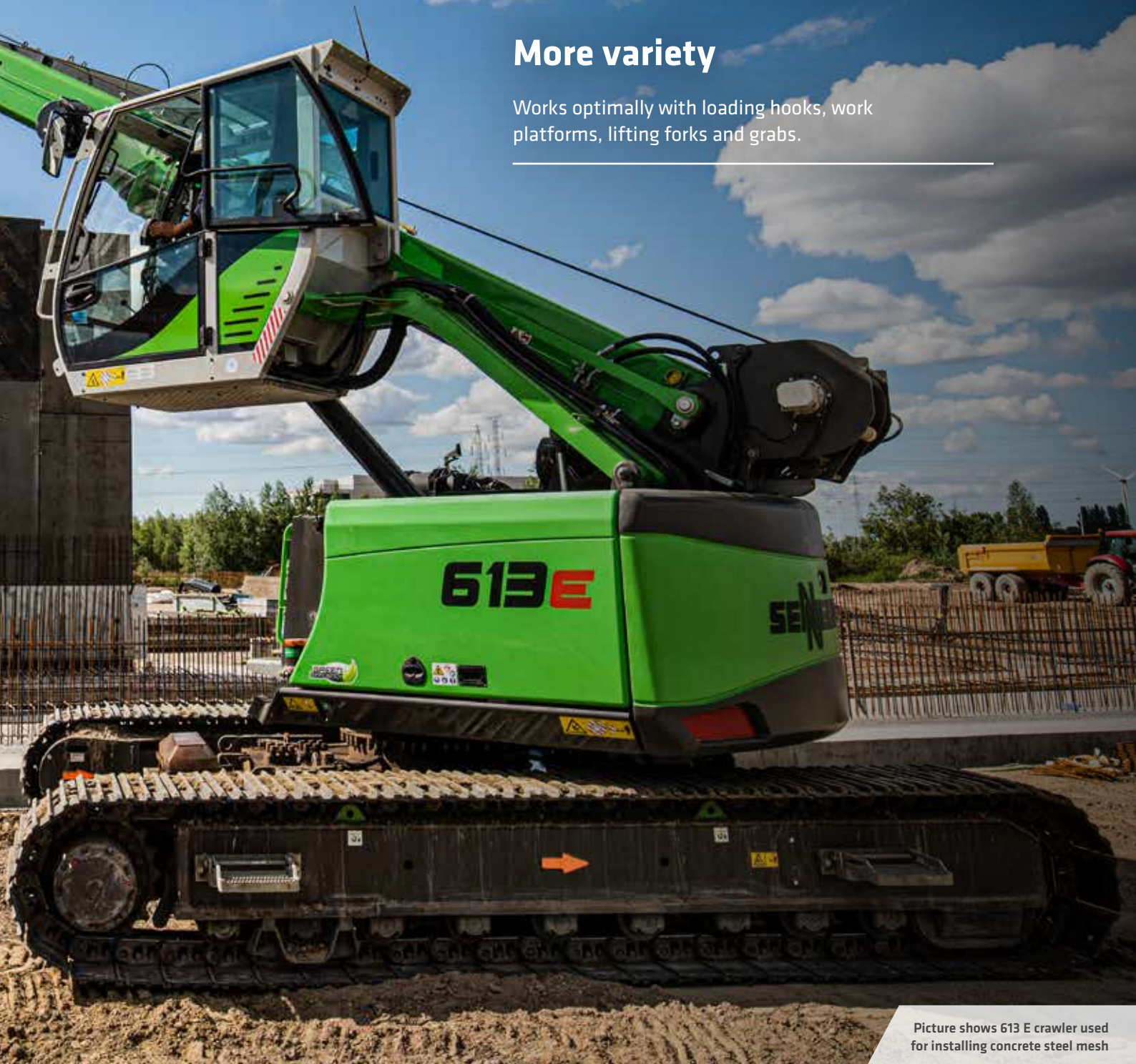
Made easy with standard components and easy-to-access maintenance and service points.

More flexibility

As the Full Power Boom telescopes comfortably under load at any length and safely via the joystick.

More variety

Works optimally with loading hooks, work platforms, lifting forks and grabs.



Picture shows 613 E crawler used for installing concrete steel mesh

Advanced. The E Series



LONG SERVICE LIFE, HIGH VALUE RETENTION

- Reliable and powerful thanks to its robust construction and high-quality components

SOPHISTICATED, STATE-OF-THE-ART TECHNOLOGY

- Thanks to decades of experience in designing and constructing telescopic cranes



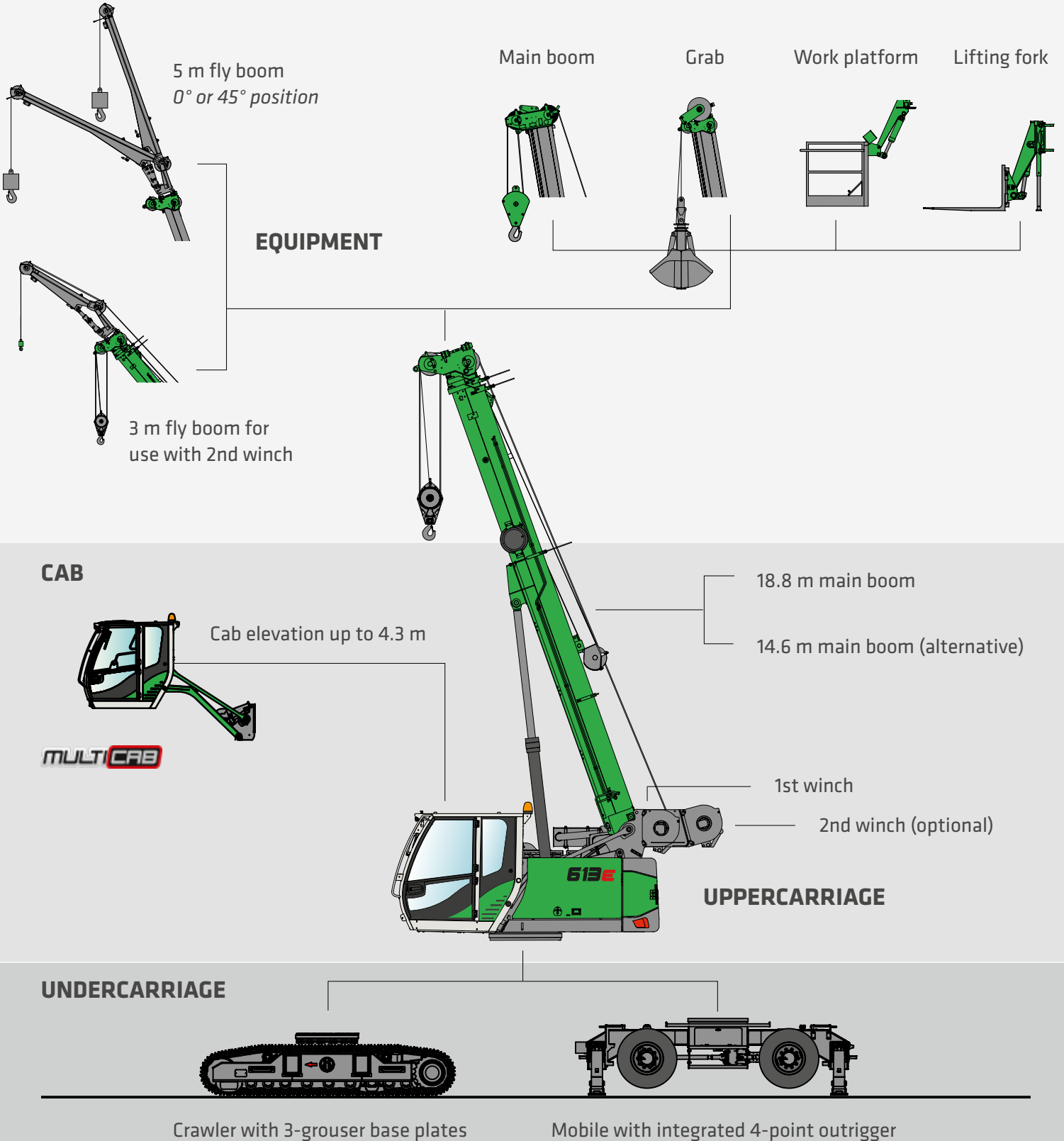
SIMPLE TO MAINTAIN AND SERVICE

- Technology that can be mastered and no over-engineering, easy access to all components

ENVIRONMENTALLY-FRIENDLY DRIVE TECHNOLOGY

- State-of-the-art engine, drive and emission systems in line with the latest technology standards (stage V)

A MODULAR DESIGN. NUMEROUS APPLICATIONS.





OUTSTANDING FLEXIBILITY. WITH THE FULL POWER BOOM.

- Impressive: the robust boom system can telescope easily and safely even with the maximum rated load on the hook
- Simple and convenient: can be operated using the joystick for any boom length, without needing to preselect length and load
- Automatically optimal: always the best load capacity for each boom length
- Steep things: can work on inclines of up to 4° *
- Comfortable work area: maximum boom length of 18.8 m and folding 5 m fly boom

Pick & Carry 10.8 t with 4.0 m reach



**COMPACT AND
STRONG.
WITH MAXIMUM
FLEXIBILITY.**

- Pick & Carry: lifting and moving under load
- Excellent maneuverability even on narrow construction sites thanks to its small turning circle with crawler tracks
- Ideal overview whilst operating thanks to the elevated cab position
- Numerous equipment options: work platform, lifting fork, hydraulic grab, and operation by radio remote control



High stability on unpaved terrain



BETTER VIEW. BETTER SAFETY. BETTER ELEVATION.

The elevating cab and an eye level of around 4.30 m (!) means improved safety levels when lifting, moving and setting down loads.

A good view of all obstacles

The ideal cab and view height whilst operating means having a perfect view of all the obstacles on the construction site.

Improved ergonomics

Sitting in a natural position and having the optimal view means you can concentrate and yet stay relaxed.

MULTI **CAB**

THE PREMIUM CAB.

- Flexibly mounted, comfortable operator's cab with super sound-proofing
- Panoramic view with all-round glazing made from safety glass, with curved, hinged windshield, large roof window and rear window
- Optimal interior climate thanks to continuously adjustable cab heating and air conditioning
- Air-suspension comfort seat with seat heater, vibration damper, adjustable to any weight
- Ergonomic set up, resonant controls
- Radio with Bluetooth®





MAXIMUM ANGLE
OF VIEW



PANORAMIC VIEW

up to **4.3 m**
viewing height



TAKE FULL CONTROL WITH OUR JOYSTICKS

- Joysticks on resonant, seat-mounted consoles
- Comfortable grip thanks to ergonomic design
- Shortcuts for direct and sensitive control of all functions
- Easy to use thanks to the optimized design of buttons and switches



GERMAN
DESIGN
AWARD
WINNER
2018



EASY TO TRANSPORT. READY FOR USE QUICKLY.

It is not just with procurement and operating costs that companies can make cost-effective decisions and savings. Astute contractors know that simple and economical transportation between construction sites is an important factor, too.



Economical

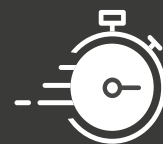
With a transport width of just 2.53 m, the 613 E fits easily on any standard low-loader. This means a transport license is not required and significantly reduces the costs involved.



< 25 t*

Easy

Thanks to its low weight of less than 25 t, the machine can be transported in its fully assembled mode. Even entering of downtown sites is hassle free.



Quick

Once it reaches the construction site, the machine is ready to use as soon as it has been unloaded.

MAINTENANCE AND SERVICE. MAKE IT EASY ON YOURSELF.



The SENCON control system supports you with diagnostics and makes troubleshooting easier. So your machine is back in action faster.

All maintenance and service points are arranged clearly and easily accessible. The clear labeling of components makes finding your way around easy.

KEEP IT SIMPLE. WITH TECHNOLOGY THAT CAN BE MASTERED.



Reliable and practical technology makes life easier. Where electronics add no value, we rely on hydraulics and electrical systems.



We make you happy, not reliant. With cost-effective components and fewer process steps, you can take care of your own machine.



A central electrical distributor simplifies the clearly arranged standard components for the controls and troubleshooting.

TECHNICAL DATA, EQUIPMENT

MACHINE TYPE

MODEL (TYPE) 613 Crawler

ENGINE

TYPE **Stage V:**
 F3.8 FR95683
 Rated power: 100 kW / 2200 rpm
 Operating point standard: 100 kW / 2200 rpm
 Operating point ECO: 99 kW / 2000 rpm

Stage IIIa:
 Available on request

Both:
 Direct injection, turbocharged,
 charge air cooling, reduced emissions

COOLING	Water-cooled
DIESEL FILTER	With water separator and heater
AIR FILTER	Dry filter with integrated pre-separator, automatic dust discharge, main element and safety element, contamination indicator
FUEL TANK	200 l
DEF TANK	30 l
ELECTRICAL SYSTEM	24 V
BATTERIES	2 x 155 Ah
OPTIONS	Low temperature package with engine preheating (heavy duty batteries) Electric fuel pump

UPPERCARRIAGE

DESIGN	Torsion-resistant box design, precision crafted, steel bushings for boom mountings. Service-friendly design, engine installed in the longitudinal direction
ELECTRICAL SYSTEM	Central electrical distributor, battery disconnect switch
LIGHTING	LED headlights for optimal lighting of the work area
COOLING SYSTEM	3-circuit cooling system with high cooling output, electrically regulated fan drive for cooling water, charged air and oil
SAFETY	Camera monitoring of the area to the rear and the right side
OPTIONS	Additional LED headlights 2 flashing lights at the rear Additional cameras Sea climate resistant coating as corrosion protection Customized paint finish Low temperature package Automatic central lubrication for boom attachment point, luffing cylinder, live ring track and winch drum bearings Pinion tooth lubrication



TECHNICAL DATA, EQUIPMENT

HYDRAULIC SYSTEM / HYDRAULICS

Pump unit attached directly to diesel engine. Load-sensing/ LUDV hydraulic system, electro-hydraulic work functions, load limit control, axial piston variable displacement pump. Multiple work functions can be controlled precisely simultaneously and independently from each other thanks to the independent, proportional allocation of the pump flows.

FLOW RATE	Up to 200 l / min
OPERATING PRESSURE	Up to 330 bar
FILTRATION	High-performance filtration with long change interval
HYDRAULIC TANK	180 l
CONTROL SYSTEM	Proportional, precision hydraulic control of the movements, 2 servo joysticks for work functions, additional functions via switches and foot pedals – arranged clearly and ergonomically
SAFETY	Hydraulic circuits with safety valves Pipe-fracture safety valves for luffing cylinder and telescopic cylinder
OPTIONS	Bio-oil filling SENNEBOGEN HydroClean micro-filter system (3 µm) with water separator Hydraulic tank preheating

ROTARY DRIVE / ROTOR

GEARBOX	Compact planetary gear with bent-axis hydraulic engine, integrated brake valves
SWING BEARING BRAKE	Spring-loaded multi-disk brake
SLEWING RING	Large-scale, externally geared 1-row slewing ring
SLEWING SPEED	0-2 min ⁻¹ , variable

CAB

MULTI CAB

CAB TYPE	Multicab, 1.75 m elevation
CAB EQUIPMENT	Hydraulically elevating cab as standard across the series. Comfortable operator's cab, flexibly mounted with super sound-proofing. All-weather version, all-round glazing made from safety glass and a large skylight, opening windshield. Flexibly mounted comfort seat, weight adjustable and with vibration damper. Clear dashboard with swivel-mounted steering column. Continuously adjustable cab heating with air circulation control and particle filter, automatic air conditioning.
OPTIONS	Auxiliary heating system with timer FOPS protective front grating Protective roof grating FOPS protective roof grating Glazing in bulletproof glass Radio with USB and SD connections, MP3 and Bluetooth® functions



Optional protective roof grating

TECHNICAL DATA, EQUIPMENT



Optional radio remote control



Optional hydraulic grab



Optional fly boom

EQUIPMENT

BOOM	3-part with pulley head, hydraulic telescopic extension from 14.6 to 18.8 m, adjustment speed -12° to 70° in approx. 35 seconds
SAFETY BRAKE	Spring-loaded multi-disk brake
CRANE SAFETY	Latest generation of load moment monitoring with event recorder, clear operations panel showing all important data via the SENCON display, lifting limit switch, cable exit protection, pressure relief valves and pipe fracture protection
CYLINDERS	Hydraulic cylinders with high-quality sealing and guide elements
OPTIONS	<p>Fly boom 5 m folding jib, load capacity 4 t, tiltable by 45°, easy to set up without additional equipment, can be bolted to basic boom when not in use</p> <p>3 m folding jib in combination with 2nd hoist winch, load capacity 4 t, tiltable by 20° or 45°, easy to set up without additional equipment, can be bolted to basic boom when not in use</p> <p>Lifting fork</p> <p>Aerial work platform</p> <p>Special paint finish</p> <p>Emergency unit</p> <p>Radio remote control</p> <p>Work area limitation, freely programmable</p> <p>Grab equipment with clamshell grab, 600 l</p> <p>Additional load charts accepted for 2°/4° incline position</p> <p>SENtrack DS telemetry system</p>

TECHNICAL DATA, EQUIPMENT

UNDERCARRIAGE



DESIGN	Very strong, hydraulically telescopic crawler undercarriage, with integrated, protected drive transmission
DRIVE	Strong travel drive with 2-stage variable-displacement hydraulic engine and directly attached automatically functioning brake valve and compact planetary gear on each running gear side
PARKING BRAKE	Spring-loaded multi-disk brake
TRAVELING GEAR	Maintenance-free tractor running gear with hydraulic chain tension, 600 mm 3-grouser base plates
SPEED	0 - 1.2 km/h / 0 - 2.2 km/h
OPTIONS	Floor plates in the following equipment: 700 mm 3-grouser base plates 800 mm 3-grouser base plates

WINCH



The winches are driven via high-pressure-regulated adjustable hydraulic engines, so there is always optimal pulling force speed control. Hydraulic lowering brake valves for sensitive, wear-free braking. Strong oil bath, planetary gear, low-maintenance. Holding brakes are spring-loaded, maintenance-free, low-wear multi-disk brakes operating in oil bath, oil-cooled

35 kN tensile force (3rd position), cable speed 95 m/min., cable diameter 14 mm, max. cable length 80 m

OPTIONS	2nd crane winch: 35 kN tensile force (3rd position), cable speed 95 m/min., cable diameter 14 mm, max. cable length 160 m
---------	---

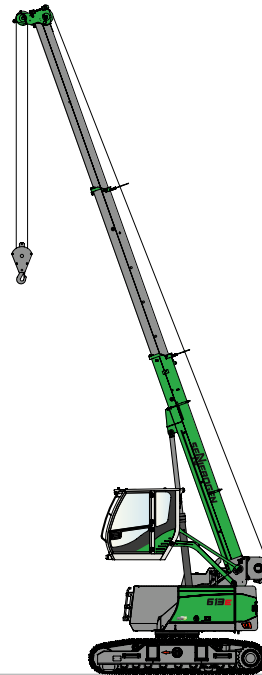
OPERATING WEIGHT



MASS	Approx. 24,300 kg With 18.8 m telescopic boom, 5 m fly boom, 10.5 t hook, 80 m hoist cable, 4.1 t ballast, 3.5 t winches with 600 mm 3-grouser base plates
	3-grouser base plates: 700 mm approx. 24,650 kg 800 mm approx. 25,000 kg

NOTE Operating weight varies by model and equipment.

Subject to technical changes!



Optional 2nd crane winch

CRANE EQUIPMENT

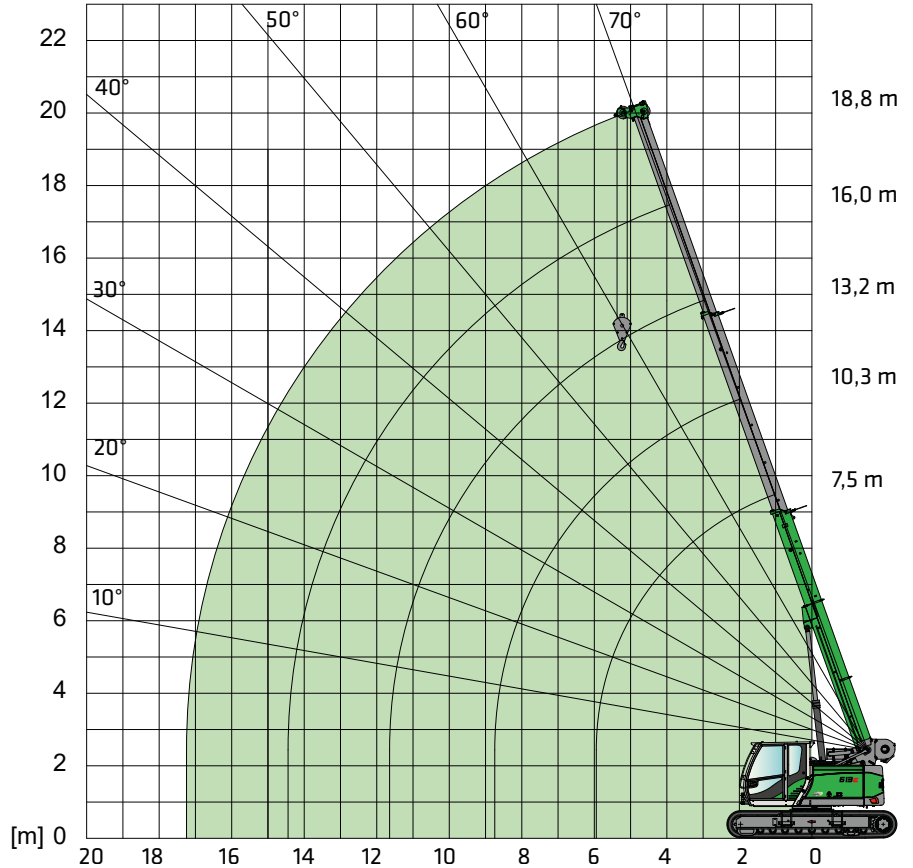


MAIN BOOM
HA 18.8 m



Notes:

1. The specified load ratings given apply when the machine is on a firm and level surface.
2. The load ratings apply to 613 R with telescoped crawler undercarriage (track 3000 mm), the load ratings in brackets () for telescoped crawler undercarriage (track 1880 mm).
3. The load ratings take the DIN 15019.2 and ISO 4305 standards into account.
4. The weight of the load handling equipment (hooks, suspension gear) should be deducted from the load capacities.
5. Load capacities must be limited or reduced in adverse conditions such as soft or uneven ground, slopes, wind, side loads, swinging loads, jolts or sudden stopping of loads, personnel and operators not experienced in handling loads.
6. Permissible cable pull per strand in crane mode for a cable diameter of 14 mm is 3,500 kg.
7. Load capacities marked with a * only apply with specific equipment.
8. The load ratings given are for reference only. Please refer to the tables in the operating instructions for the relevant applicable load ratings.



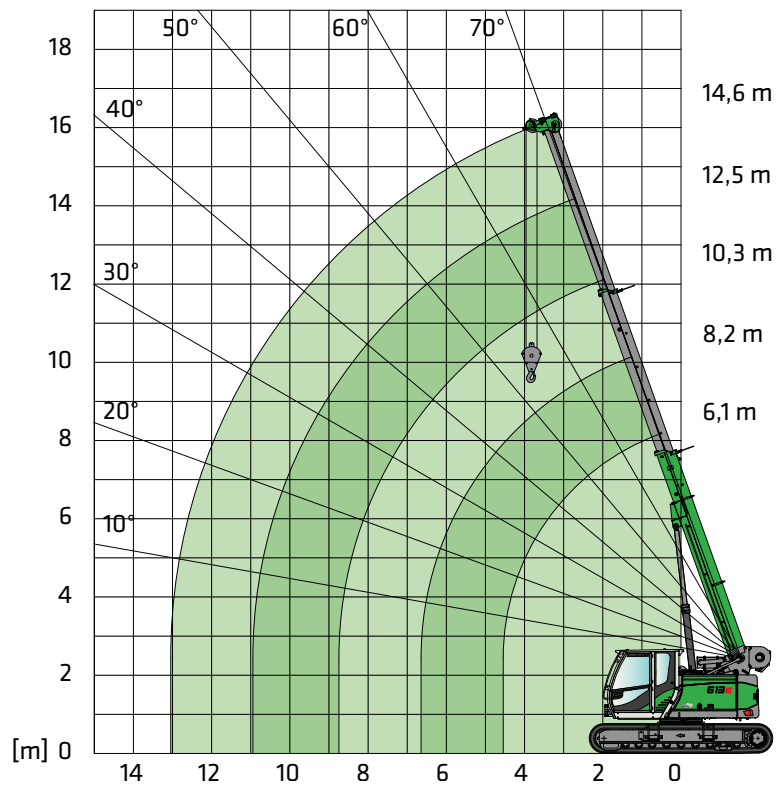
REACH [m]	BOOM LENGTH [m]				
	7.5	10.3	13.2	16.0	18.8
2.0	15.0 (12.0)				
3.0	13.3 (8.3)	10.0 (8.4)			
4.0	10.6 (5.3)	10.0 (5.3)	8.0 (5.4)		
5.0	8.5 (3.7)	8.6 (3.8)	8.0 (3.8)	6.0 (3.9)	
5.5	7.5 (3.2)	7.6 (3.4)	7.4 (3.4)	6.0 (3.4)	4.5 (3.4)
6.0	5.7 (2.9) / 6.0 m	6.7 (2.9)	6.7 (2.9)	5.9 (2.9)	4.5 (2.9)
7.0		5.2 (2.3)	5.3 (2.3)	5.2 (2.3)	4.5 (2.3)
8.0		4.2 (1.8)	4.3 (1.8)	4.3 (1.8)	4.1 (1.9)
9.0		3.6 (1.5) / 8.8 m	3.5 (1.5)	3.6 (1.5)	3.6 (1.5)
10.0			3.0 (1.2)	3.0 (1.2)	3.0 (1.2)
11.0			2.6 (1.0)	2.6 (1.0)	2.6 (1.0)
12.0			2.4 (0.9) / 11.6 m	2.2 (0.8)	2.3 (0.8)
13.0				2.0 (0.7)	2.0 (0.7)
14.0				1.7 (0.6)	1.7 (0.6)
15.0				1.6 (-) / 14.4 m	1.5
16.0					1.3
17.0					1.1 / 17.3 m

Table no.: 613R-HD/18.8/75/1703(4453)/4.1/08.06

CRANE EQUIPMENT



MAIN BOOM
HA 14.6 m



CRANE EQUIPMENT

Table no.: 613R-HD/14.6/75/1703(1453)/4.1/08.06

REACH [m]	BOOM LENGTH [m]				
	6.1	8.2	10.3	12.5	14.6
2.0	16.0 (12.0)	13.0 (12.0)			
3.0	13.5 (8.3)	13.0 (8.3)	11.0 (8.4)		
4.0	10.8 (5.3)	10.9 (5.4)	10.5 (5.4)	8.3 (5.4)	6.5 (5.4)
4.5	9.6 (4.4)	9.8 (4.6)	9.6 (4.6)	7.8 (4.6)	6.3 (4.6)
5.0		8.7 (3.9)	8.7 (3.9)	7.2 (3.9)	6.1 (3.9)
6.0		6.8 (2.9)	6.8 (3.0)	6.3 (3.0)	5.3 (3.0)
7.0		5.1 (2.5) / 6.7 m	5.3 (2.4)	5.4 (2.4)	4.6 (2.4)
8.0			4.3 (1.9)	4.4 (1.9)	4.1 (2.0)
9.0			2.7 (1.6) / 8.8 m	3.7 (1.6)	3.7 (1.6)
10.0				3.1 (1.3)	3.1 (1.4)
11.0				2.7 (1.1) / 10.9 m	2.7 (1.1)
12.0					2.3 (1.0)
13.0					2.1 (0.8)



HOOK

CAPACITY [t]	WEIGHT [kg]	CABLE REEVING AND MAX. LOAD CAPACITY					
		5	4	3	2	1	
17.5 t (2-roll)	180 kg	17,500 kg	14,000 kg	10,500 kg	7,000 kg	3,500 kg	for main boom
10.5 t (1-roll)	100 kg			10,500 kg	7,000 kg	3,500 kg	for main boom
4 t	40 kg					3,500 kg	for fly boom

CRANE EQUIPMENT



FLY BOOM
SA 5.0 m



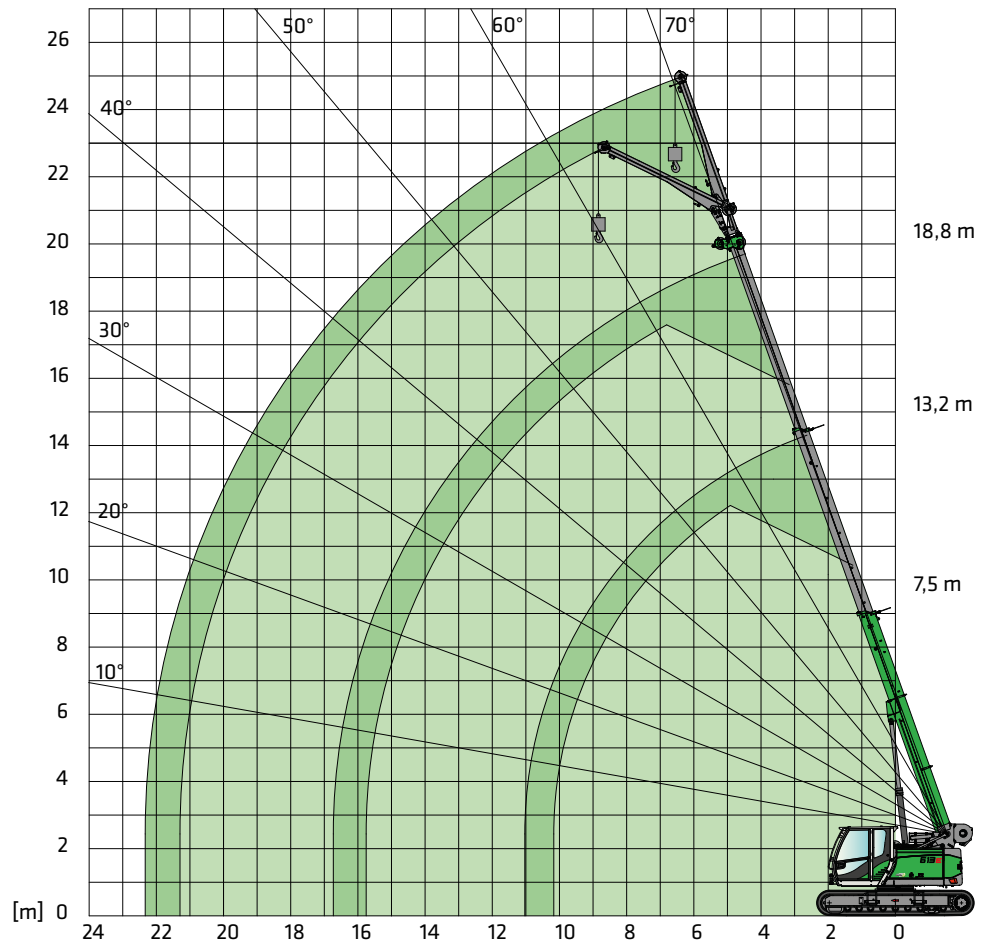
HA 18.8 m



**DIN
ISO**



360°



TELESCOPIC BOOM LENGTH [m]

REACH [m]	TELESCOPIC BOOM LENGTH [m]										
	7.5		10.3		13.2		16.0		18.8		
	0°	45°	0°	45°	0°	45°	0°	45°	0°	45°	
4.0	3.8 (3.8)		4.4 (4.4)								
5.0	3.3 (3.3)		3.8 (3.8)		4.2 (4.0)						
6.0	2.9 (2.9)	2.0 (2.0)	3.3 (3.1)		3.8 (3.0)		3.8 (3.0)				
7.0	2.5 (2.5)	1.9 (1.9)	3.1 (2.4)	2.0 (2.0)	3.4 (2.4)		3.5 (2.3)		2.7 (2.3)		
8.0	2.2 (2.1)	1.9 (1.9)	2.8 (2.0)	2.0 (2.0)	3.1 (1.9)	2.0 (1.9)	3.2 (1.9)		2.7 (1.8)		
9.0	2.0 (1.7)	1.8 (1.7)	2.5 (1.6)	1.9 (1.6)	2.8 (1.5)	2.0 (1.5)	2.9 (1.5)	1.9 (1.5)	2.6 (1.5)		
10.0	1.9 (1.4)		2.2 (1.3)	1.9 (1.3)	2.5 (1.3)	1.9 (1.3)	2.6 (1.2)	1.9 (1.2)	2.4 (1.2)	1.9 (1.2)	
11.0			2.0 (1.1)	1.8 (1.1)	2.3 (1.0)	1.9 (1.0)	2.4 (1.0)	1.9 (1.0)	2.2 (0.9)	1.9 (0.9)	
12.0			1.8 (0.9)		2.2 (0.8)	1.8 (0.8)	2.2 (0.8)	1.9 (0.8)	2.0 (0.8)	1.9 (0.8)	
13.0			1.8 (0.7)		2.0 (0.7)	1.8 (0.7)	2.0 (0.6)	1.8 (0.6)	1.9 (0.6)	1.8 (0.6)	
14.0					1.7 (0.6)		1.7 (0.5)	1.7 (0.5)	1.7	1.7	
15.0					1.5		1.5	1.5	1.4	1.4	
16.0					1.4		1.3		1.3	1.3	
17.0							1.1		1.1		
18.0							1.0		1.0		
19.0									0.9		
20.0									0.7		

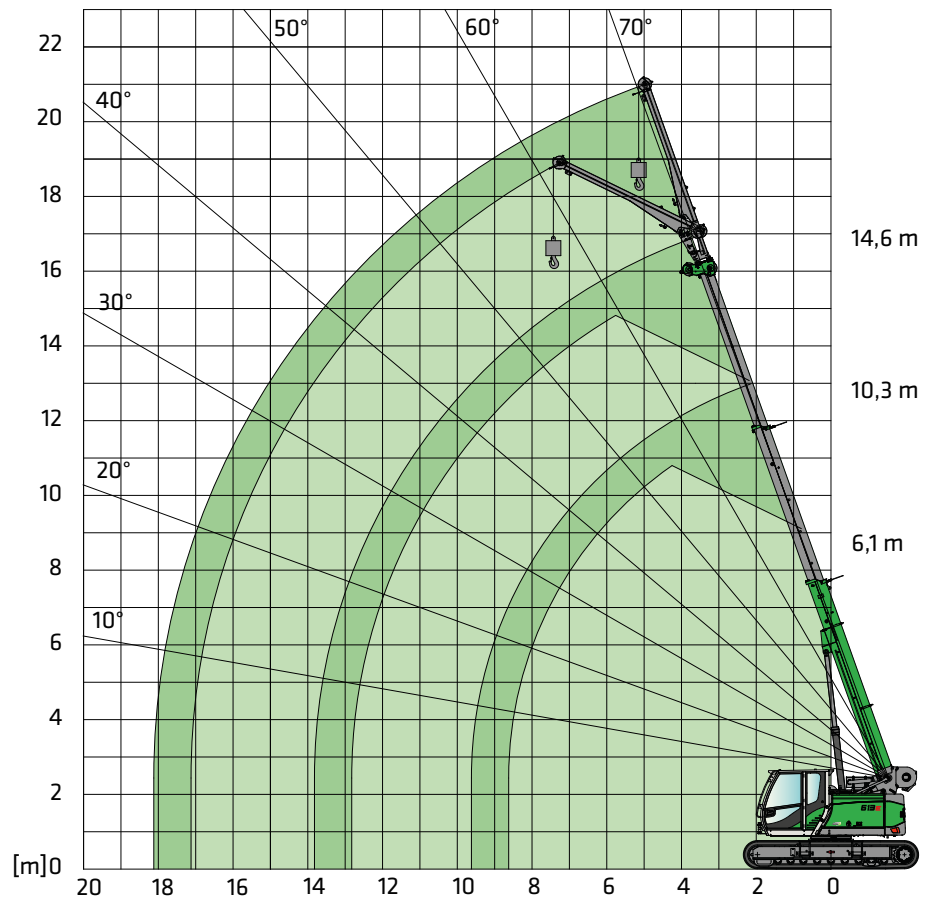
Tab. no.: 613R-HD/18.8/75/1703/41/08.06 SA5
Tab. no.: 613R-HD/18.8/75/1453/41/08.06 SA5

CRANE EQUIPMENT

 **FLY BOOM**
SA 5.0 m

 **HA 14.6 m**

DIN ISO 



REACH [m]	TELESCOPIC BOOM LENGTH [m]										
	6.1		8.2		10.3		12.5		14.6		
	0°	45°	0°	45°	0°	45°	0°	45°	0°	45°	
3.0	4.2 (4.2)										
4.0	3.5 (3.5)		4.0 (4.0)								
5.0	3.0 (3.0)		3.5 (3.5)		3.7 (3.7)		4.0 (4.0)				
6.0	2.6 (2.6)	1.9 (1.9)	3.0 (3.0)	2.0 (2.0)	3.4 (3.1)		3.6 (3.0)		3.5 (3.0)		
7.0	2.2 (2.2)	1.9 (1.9)	2.7 (2.5)	2.0 (2.0)	3.0 (2.4)	2.0 (2.0)	3.3 (2.4)		3.4 (2.4)		
8.0	1.9 (1.9)	1.8 (1.8)	2.4 (2.0)	1.9 (1.9)	2.7 (2.0)	2.0 (2.0)	3.0 (1.9)	2.0 (1.9)	3.0 (1.9)		
9.0	1.8 (1.7)		2.1 (1.7)	1.8 (1.7)	2.5 (1.6)	1.9 (1.6)	2.8 (1.6)	1.9 (1.6)	2.7 (1.6)	2.0 (1.6)	
10.0			1.9 (1.4)		2.2 (1.3)	1.9 (1.3)	2.5 (1.3)	1.9 (1.3)	2.5 (1.3)	1.9 (1.3)	
11.0			1.8 (1.2)		2.0 (1.1)	1.8 (1.1)	2.3 (1.1)	1.9 (1.1)	2.2 (1.1)	1.9 (1.1)	
12.0					1.8 (0.9)		2.0 (0.9)	1.8 (0.9)	2.0 (0.9)	1.9 (0.9)	
13.0					1.8 (0.8)		1.9 (0.8)		1.9 (0.7)	1.8 (0.7)	
14.0							1.7 (0.6)		1.8 (0.6)	1.8 (0.6)	
15.0							1.6 (0.5)		1.6 (0.5)		
16.0									1.4		

Tab. no.: 613R-HD/14.6/75/1703/4/1/08.06 SAS
Tab. no.: 613R-HD/14.6/75/1453/4/1/08.06 SAS

GRAB EQUIPMENT



MAIN BOOM
HA 18.8 m

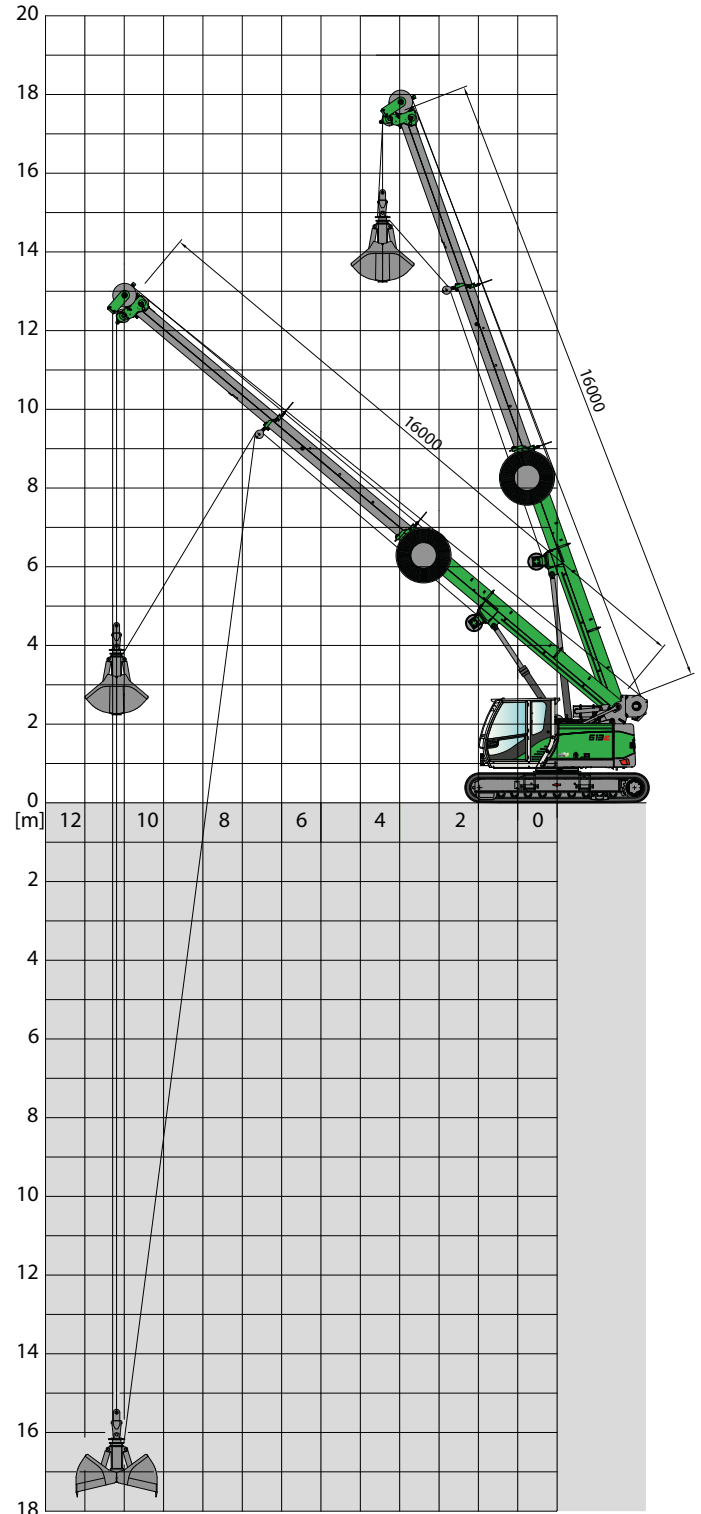


Notes:

1. The load ratings given apply when the machine is on a firm and level surface.
2. The load ratings are given in tons and apply for a 360° swing angle. The load ratings apply to 613 R with max. track width.
3. The load ratings take the DIN 15019.2 and ISO 4305 standards into account.

GRAB EQUIPMENT

REACH [m]	BOOM LENGTH [m]			
	7.5	10.3	13.2	16.0
2.0	12.7			
3.0	11.3	8.5		
4.0	9.0	8.5	6.8	
5.0	7.2	7.3	6.8	5.1
5.5	6.3	6.4	6.3	5.1
6.0		5.7	5.7	5.0
7.0		4.4	4.5	4.4
8.0		3.5	3.5	3.5
9.0			3.0	3.0
10.0			2.5	2.5
11.0			2.2	2.2
12.0				1.8
13.0				1.7
14.0				1.4
15.0				
16.0				



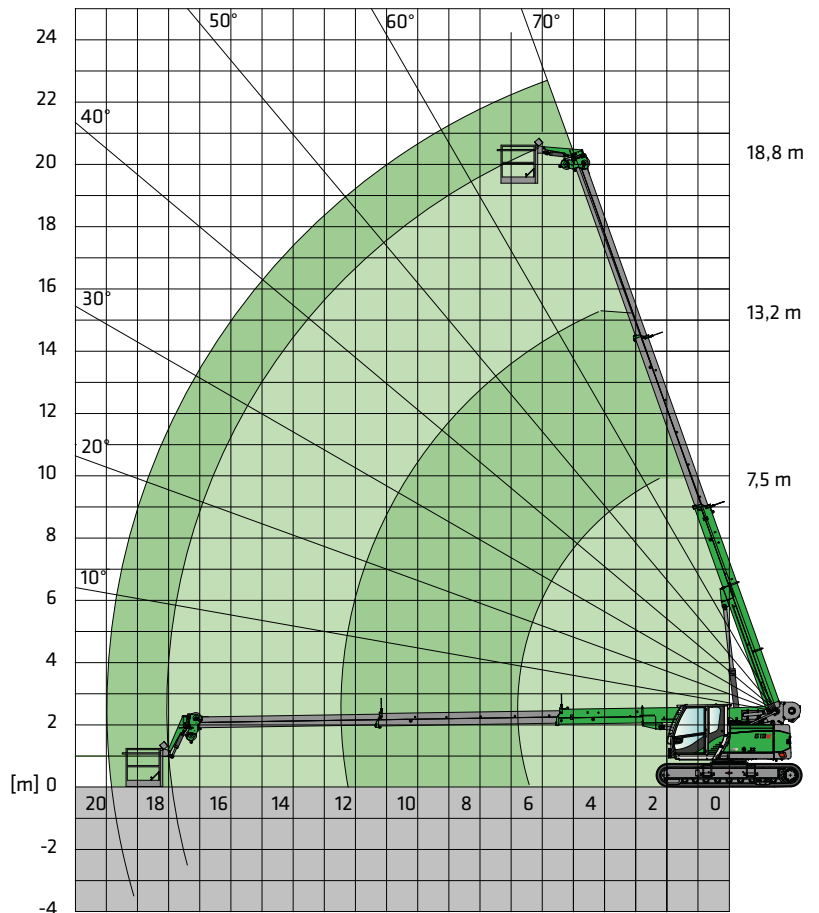
WORK PLATFORM



WORK PLATFORM
HA 18.8 m



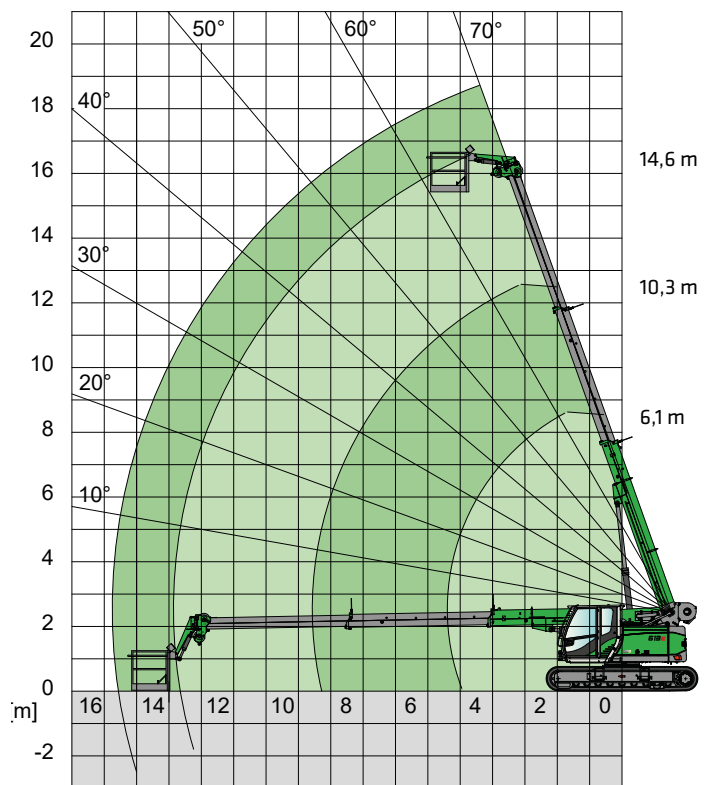
The approved payload for the work platform is 350 kg:
2 people at 80 kg
+ 190 kg additional load.



WORK PLATFORM
HA 14.6 m



The approved payload for the work platform is 350 kg:
2 people at 80 kg
+ 190 kg additional load.



WORK PLATFORM

LIFTING FORK ATTACHMENT

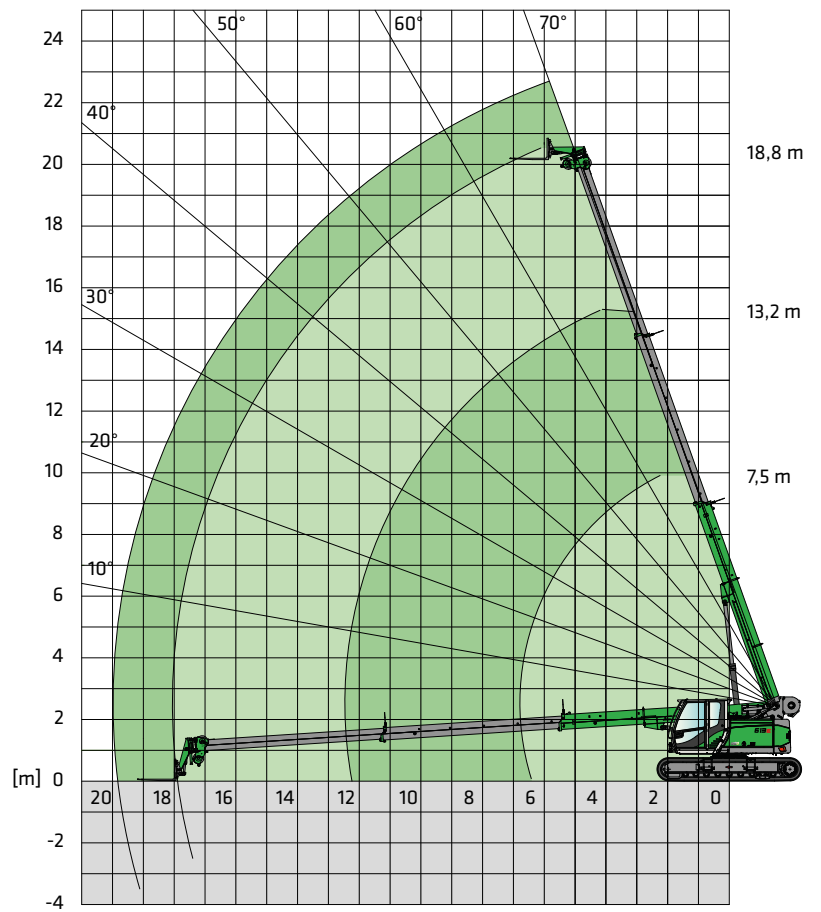


LIFTING FORK 7.5 - 18.8 m



Notes:

1. The load ratings given apply when the machine is on a firm and level surface.
2. The load ratings are given in tons and apply for a 360° swing angle.
3. The load ratings take the DIN 15019.2 and ISO 4305 standards into account.
4. The load ratings apply to loads placed centrally on the lifting fork with the center of gravity 500 mm from the fork carriage.
5. Load capacities must be limited or reduced in adverse conditions such as soft or uneven ground, slopes, wind, side loads, swinging loads, jolts or sudden stopping of loads, personnel and operators not experienced in handling loads.
6. The load ratings apply to max. track width.
7. The load capacities in brackets () apply for min. track width.
8. The load ratings given are for reference only. Please refer to the tables in the operating instructions for the relevant applicable load ratings.



LIFTING FORK ATTACHMENT

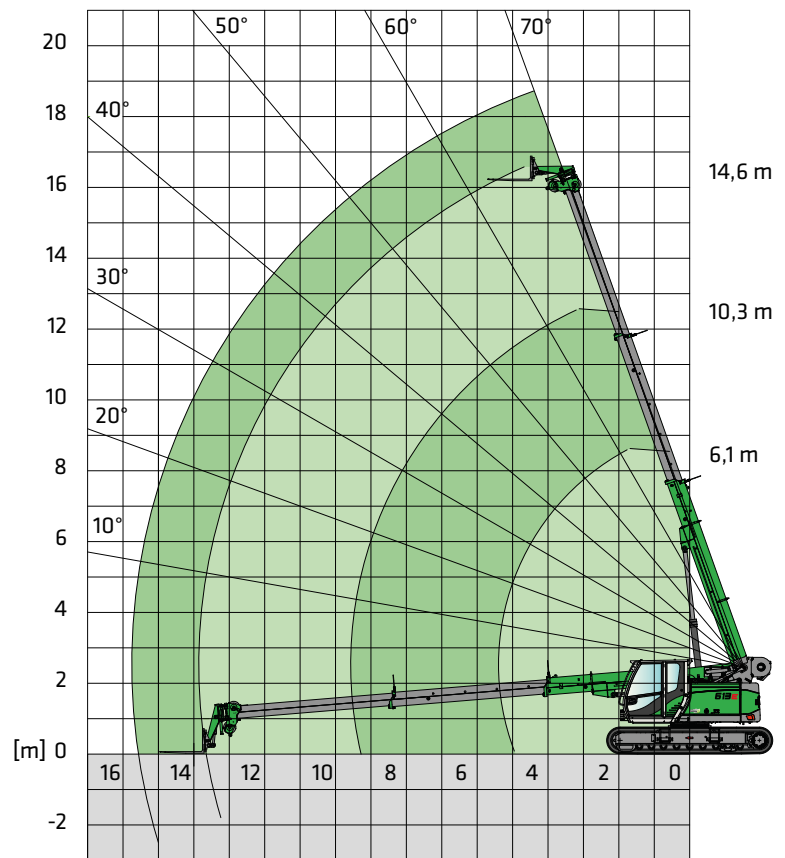
Tab. no.: 613R-HD/18.8/75/1703(1453)/4.1/08.06 Lifting fork

REACH [m]	BOOM LENGTH [m]				
	7.5	10.3	13.2	16.0	18.8
2.0	2.5 (1.53)				
3.0	2.5 (1.53)	1.3 (0.63)			
4.0	2.5 (1.53)	1.3 (0.63)	0.9		
4.5	2.5 (1.53)	1.3 (0.63)	0.9	0.6	
5.0	2.5 (1.53)	1.3 (0.63)	0.9	0.6	0.5
6.0	2.5 (1.53)	1.3 (0.63)	0.9	0.6	0.5
7.0	2.5 (1.53)	1.3 (0.63)	0.9	0.6	0.5
8.0	2.5/7.5 (1.53)/7.5	1.3 (0.63)	0.9	0.6	0.5
9.0		1.3 (0.63)	0.9	0.6	0.5
10.0		1.3 (0.63)	0.9	0.6	0.5
11.0		1.3/10.3 (0.63)/10.3	0.9	0.6	0.5
12.0			0.9	0.6	0.5
13.0			0.9/13.2	0.6	0.5
14.0				0.6	0.5
15.0				0.6	0.5
16.0				0.6	0.5
17.0					0.5
18.0					0.5/18.8

LIFTING FORK EQUIPMENT



LIFTING FORK 6.1 - 14.6 m



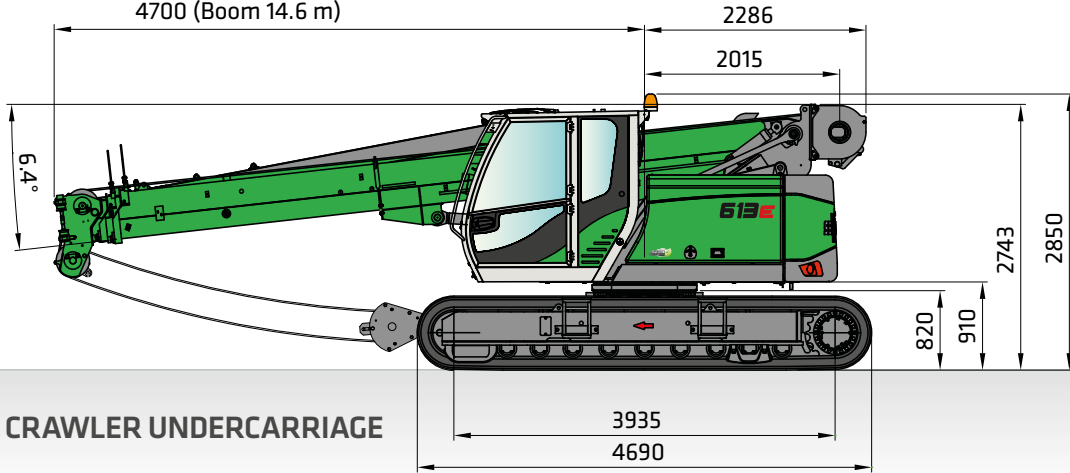
Tab. no.: 613R-HD/14.6/75/1703(1453)/41/08.06 Lifting fork

REACH [m]	BOOM LENGTH [m]				
	6.1	8.2	10.3	12.5	14.6
2.0	3.0 (2.0)				
3.0	3.0 (2.0)	1.8 (1.28)			
4.0	3.0 (2.0)	1.8 (1.28)	1.4 (0.7)		
4.5	3.0 (2.0)	1.8 (1.28)	1.4 (0.7)	1.0 (0.37)	
5.0	3.0 (2.0)	1.8 (1.28)	1.4 (0.7)	1.0 (0.37)	0.6
6.0	3.0 (2.0)	1.8 (1.28)	1.4 (0.7)	1.0 (0.37)	0.6
7.0		1.8 (1.28)	1.4 (0.7)	1.0 (0.37)	0.6
8.0		1.8 (1.28)	1.4 (0.7)	1.0 (0.37)	0.6
9.0		1.8/8.2 (1.28) / 8.2	1.4 (0.7)	1.0 (0.37)	0.6
10.0			1.4 (0.7)	1.0 (0.37)	0.6
11.0			1.4/10.3 (0.7)/10.3	1.0 (0.37)	0.6
12.0				1.0 (0.37)	0.6
13.0				1.0/12.5 (0.37)/12.5	0.6
14.0					0.6
15.0					0.6/14.6

LIFTING FORK ATTACHMENT

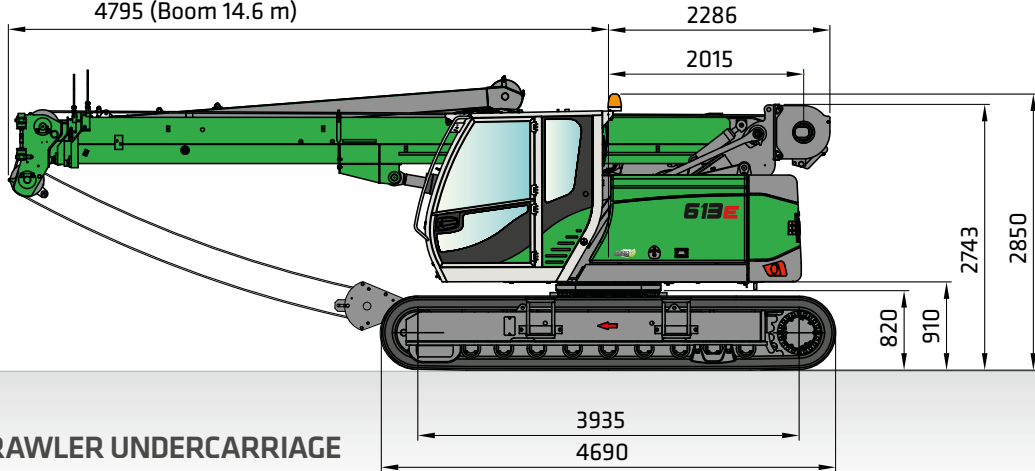
TRANSPORT DIMENSIONS

6100 (Boom 18.8 m)
4700 (Boom 14.6 m)



613 WITH CRAWLER UNDERCARRIAGE

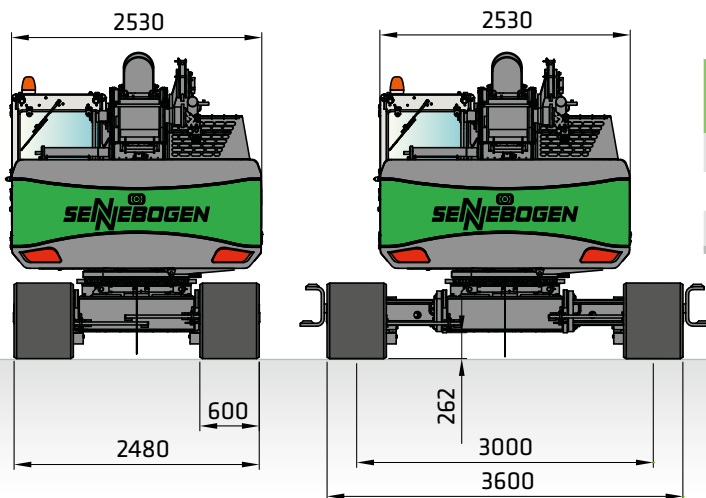
6195 (Boom 18.8 m)
4795 (Boom 14.6 m)



613 WITH CRAWLER UNDERCARRIAGE

i Transport width: 2.53 m

Can be transported without special authorization



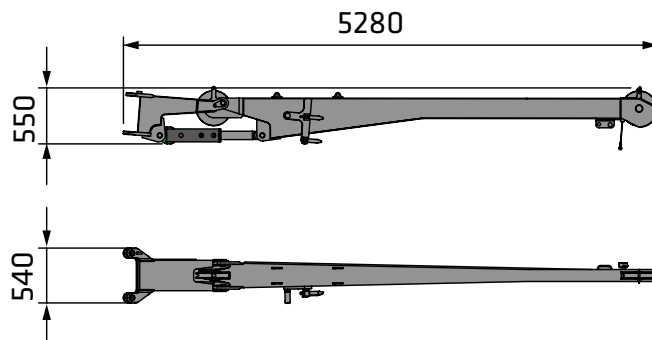
BASE PLATES	MIN. TRANSPORT WIDTH
600 mm	2530 mm
700 mm	2600 mm
800 mm	2700 mm

Dimensions in [mm]

ATTACHMENTS

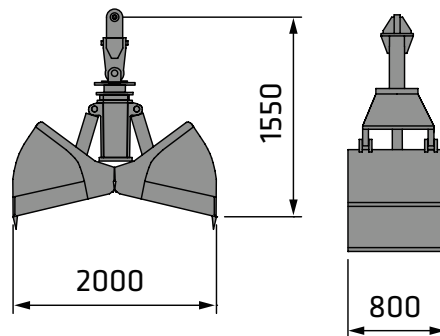
FLY BOOM 5 m

i Weight: 350 kg



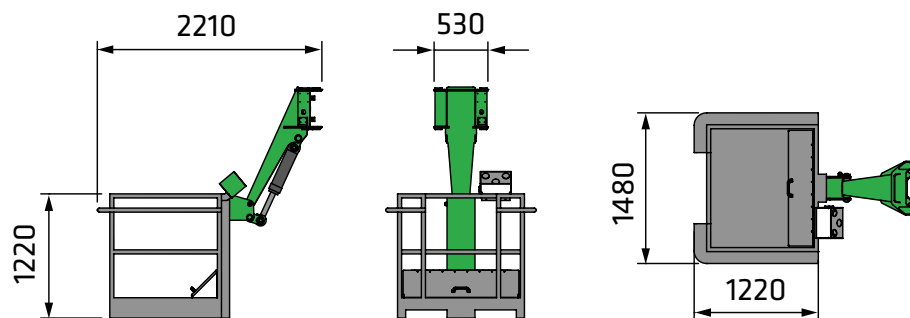
HYDRAULIC GRAB WITH TEETH AND DRAINAGE HOLES

i Weight: 750 kg
 Max. bulk weight: 2 t/m³
 Max. content: 600 liter



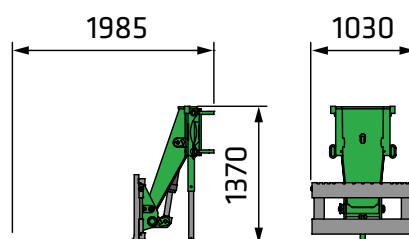
WORK PLATFORM

i Weight: 400 kg



LIFTING FORK ATTACHMENT

i Weight: 500 kg



Dimensions in [mm]



Civil engineering; France



Sheet pile wall installation; Netherlands



Dismantling; Germany



Lifting operations; Australia



SENNEBOGEN ACADEMY

Expansive in knowledge, as success is based on knowledge. In the SENNEBOGEN Academy we place great importance on ensuring knowledge flows powerfully.

➔ www.sennebogen-academy.com



SERVICE AND MAINTENANCE

Comprehensive customer service.
And supply of spare parts.
Service is a TOP priority for us.

➔ www.sennebogen.com/customer-service



SENtrack DS

Manage your fleet efficiently with SENtrack DS: Use information that would otherwise stay hidden and increase your efficiency.

➔ www.sennebogen.com/sentrack



RENTAL & USED

Discover the unique range of rental machines available from SENNEBOGEN Rental & Used. Find your rental machine here:

➔ www.sennebogen-rental-used.com

JOIN OUR OPERATORS' CLUB

Put the spotlight on you and your machine! We focus on exclusive information, sharing experiences with other SENNEBOGEN operators as well as fun and enthusiasm.

All the benefits here ➔ www.sennebogen.com/operators-club



MOVE BIG THINGS - WITH US!



over **68**
years of experience

100 %
family company

over **1600**
experienced
specialists worldwide

4
production plants
in Germany

over **180**
sales and service partners
around the world

11
different
telescopic cranes



Telehandler
5.5 t

Balancer
130-300 t

Material handler
17-420 t

Duty cycle crane
13.5-300 t

Crawler crane
50-300 t

Telescopic crane
16-130 t

Port crane
300 t

This catalog describes machine models, the scope of equipment of individual models, and configuration options (standard equipment and optional equipment) of the machines delivered by SENNEBOGEN Maschinenfabrik GmbH. Machine illustrations may contain optional and supplementary equipment. Actual equipment may vary depending on the country to which the machines are delivered, especially in regard to standard and optional equipment. All product designations used may be trademarks of SENNEBOGEN Maschinenfabrik GmbH or other supplying companies, and any use by third parties for their own purposes may violate the rights of the owners.

Please contact your local SENNEBOGEN sales partner for information concerning the equipment variants offered. Requested performance characteristics are only binding if they are expressly stipulated upon conclusion of the contract. Delivery options and technical features are subject to change. All information is supplied without liability. Equipment is subject to change, and rights of advancement are reserved. © SENNEBOGEN Maschinenfabrik GmbH, Straubing, Germany. Reproduction in whole or in part only with written consent of SENNEBOGEN Maschinenfabrik GmbH, Straubing, Germany.

SENNEBOGEN
Maschinenfabrik GmbH
Hebbelstraße 30
94315 Straubing, Germany

➔ www.sennebogen.com

MOVE BIG THINGS

SALES SENNEBOGEN
Sales Crane Line
Phone +49 9421 540-146
cranes@sennebogen.de

SPARE PARTS CENTER
Spare parts orders
spareparts@sennebogen.de

AFTER SALES
Technical support
service@sennebogen.de

