

Hydraulic Rotary Rig

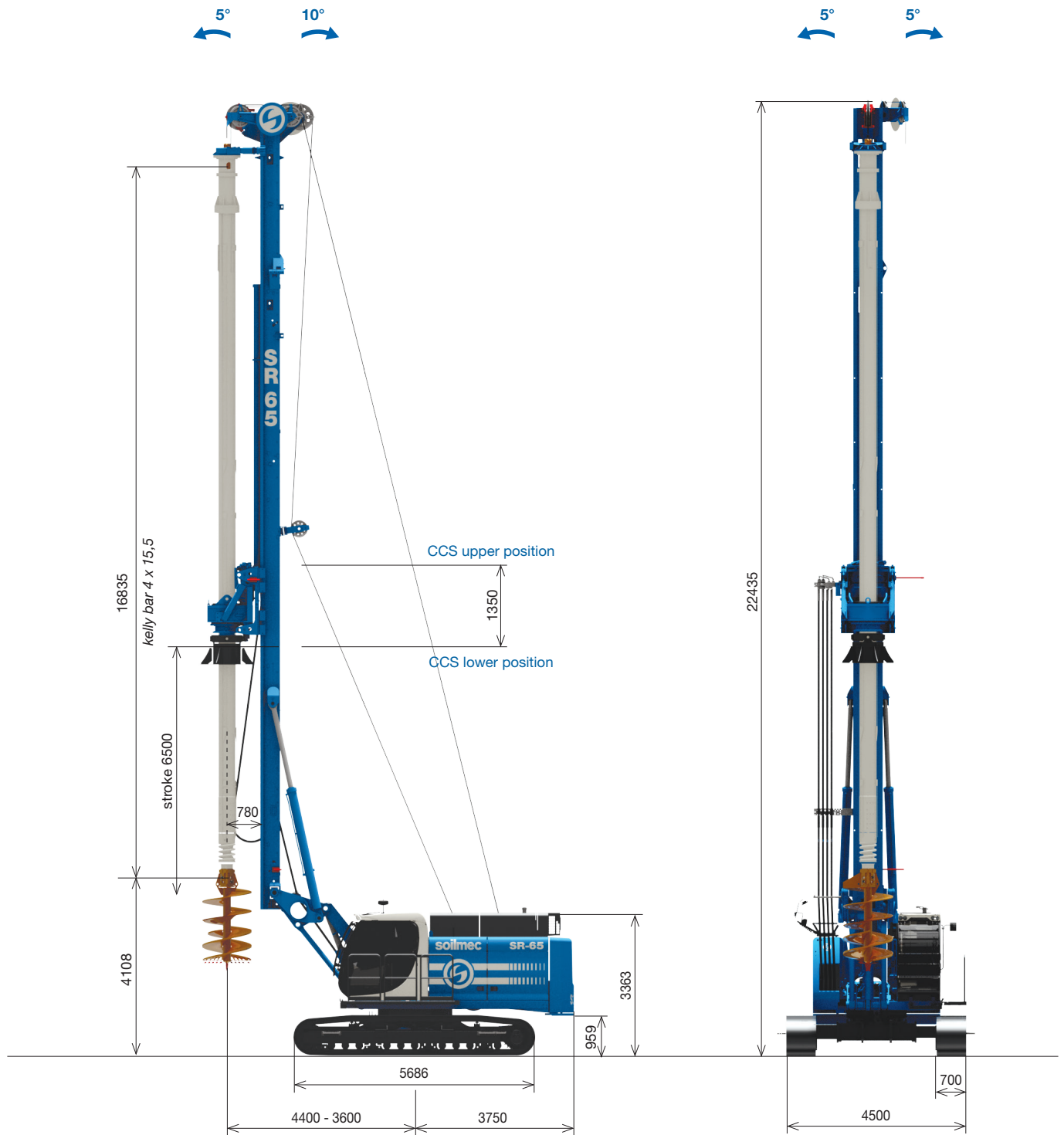
SR-65 EVO



soilmec 
Drilling and Foundation Equipment

SR-65 EVO Hydraulic Rotary Rig

LDP APPLICATIONS - Cylinder Crowd System



LDP - Large Diameter Piles - CCS version

Operating weight c/w 4x13,5 kelly bar	63600 kg	140213 lb
Max pile diameter along mast	1500 mm	59 in
Max pile diameter c/w increased drilling axis along mast	2000 mm	79 in
Max pile diameter w/o lower mast section, tool below mast	3000 mm	118 in
Max pile depth-friction kelly	77,9 m	256 ft
Max pile depth-locking kelly	62,5 m	205 ft

SR-65 EVO Hydraulic Rotary Rig

LDP APPLICATIONS - Winch Crowd System

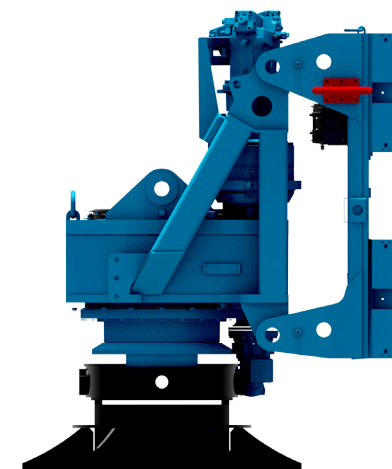
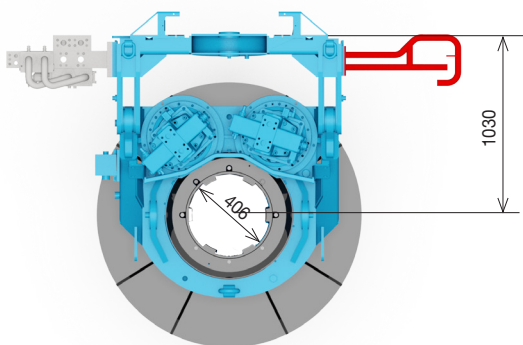
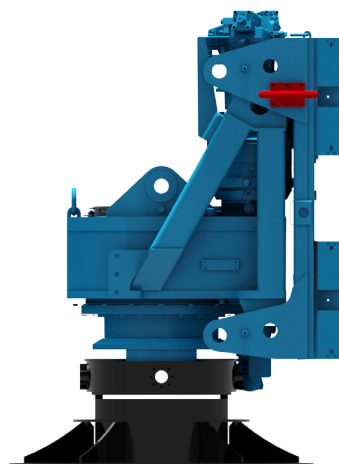
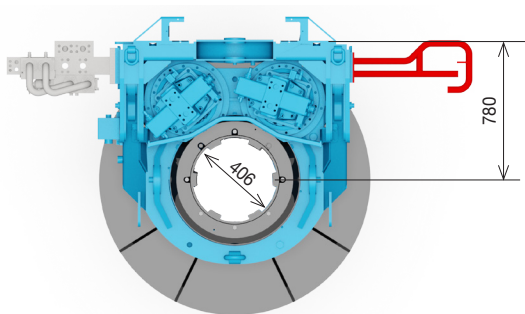


LDP - Large Diameter Piles - WCS version

Operating weight c/w 4x13,5 kelly bar	65800 kg	145063 lb
Max pile diameter along mast	1400 mm	55 in
Max pile diameter c/w increased drilling axis along mast	1900 mm	75 in
Max pile diameter w/o lower mast section, tool below mast	3000 mm	118 in
Max pile depth-friction kelly	77,7 m	255 ft
Max pile depth-locking kelly	62,3 m	204 ft

SR-65 EVO Hydraulic Rotary Rig

ROTARY TABLE - Increasing drilling axis

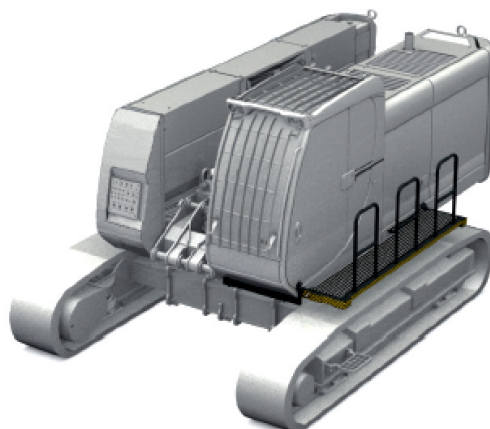


Rotary drive	Spin-off type	Spin-off type
Max torque (intermittent)	258,5 kNm	190657 lb^fft
Rated torque	240 kNm	177012 lb^fft
Max drilling speed	36,8 rpm	36.8 rpm
Spin off speed	135 rpm	135 rpm

SR-65 EVO Hydraulic Rotary Rig

Safety equipment compulsory for EC marking
On request whenever EC marking is not needed

- Foldable catwalks 600 mm (2 ft) wide
- Handrails for cabin level
- Acoustic alarm for rotation and translation
- Radio remote control for tramming on ramp
- Video-camera set with 4 cameras included
- Rearview mirrors
- Led lights
- Oil discharge conveying system
- Limit switch for main & service winch stroke
- Rotary cradle automatic lubricating system
- Main & service winch pull instant value displayed on DMS on board



SR-65 EVO Hydraulic Rotary Rig

CCS_Crowd Cylinder System		
- Stroke	6500 mm	256 in
- Crowd force pull (down/up)	140 / 280 kN	31473 / 62945 lbf
- Speed up	16,3 m/min	53 ft/min
- Speed down (slow/fast)	9,1 / 20,4 m/min	30 / 67 ft/min
WCS_Crowd Winch System		
- Stroke	16200 mm	740 in
- Crowd force pull (down/up)	330 / 330 kN	74186 / 74186 lbf
- Speed up (slow/fast)	15,5 / 34 m/min	51 / 112 ft/min
- Speed down (slow/fast)	15,5 / 34 m/min	51 / 112 ft/min
Engine		
	Cummins QSL 9	Cummins QSL 9
- Power rating	261 kW @ 2100 rpm	350 HP @ 2100 rpm
- Max power available	283 kW @ 1900 rpm	379 HP @ 1900 rpm
- Engine conforms to Exhaust emission Standard	EU Stage IV / US EPA Tier 4f	EU Stage IV / US EPA Tier 4f
- Diesel tank capacity	500 l	132 US gal
Noise		
- Sound pressure level in cab	76 dB(A)	76 dB(A)
- Sound power level	105 dB(A)	105 dB(A)
Main winch		
	control descent	control descent
- Line pull (1st layer)	220 kN	48510 lbf
- Rope diameter	26 mm	1.02 in
- Line speed (max.)	84 m/min	275 ft/min
Auxiliary winch		
	control descent	control descent
- Line pull (1st layer)	83 kN	18301 lbf
- Rope diameter	19 mm	0.75 in
- Line speed (max.)	84 m/min	275 ft/min
Hydraulic system		
- Flow rates (main circuits)	2x 294 l/min	2x 78 US gal/min
- Third pump flow	160 l/min	42 US gal/min
- Hydraulic oil tank capacity	600 l	159 US gal
Undercarriage		
	variable gauge, telescoping sides frames	variable gauge, telescoping sides frames
- Overall width retracted / extended crawlers	2980 / 4500 mm	117 / 177 in
- Width of triple grouser track shoes	700 mm	28 in
- Overall length of crawlers	5686 mm	224 in
- Traction force	395 kN	88798 lbf
- Travel speed	2,2 km/h	1.4 mph
Mast inclination (Backward/ Forward/Lateral)		
	10°/5°/5°	10°/5°/5°

STANDARD EQUIPMENT

- Rotary with variable drilling axis 780/1030 mm (30/40 in)
- Automatic control of rotary motors displacement
- Emergency mode of operation for engine
- Main and auxiliary winch controlled descent type with special grooving
- Hoist limit switch on main and service rope
- Swivel for main rope
- Service rope parking point
- GSM/GPRS/GPS modem kit
- DMS system electronic monitoring and visualization system
- Mast inclination measurement on X/Y axes
- Automatic vertical mast alignment
- Depth measuring device
- Rotary speed measuring device
- Variable gauge undercarriage
- Wider triple grouser track shoes
- Transport securing lugs on crawler units
- Oscillator attachment brackets
- Lower foldable mast element in CFA
- Cardan joint
- Flange for casing driving
- Kelly swivel
- Kelly guide
- On board lighting set
- On board tool set
- Electric refuelling pump
- High comfortable H-Cab 1050 mm (3.4 ft) wide
- Protective roof grate (FOPS compliant)
- Sliding door
- Adjustable console with sliding support for DMS 12" touch screen
- Engine and Diesel particulate diagnostic panel 3 color warning light
- Auto low idle system
- Ergonomic seat with air suspension, fully-adjustable positioning and lumbar support
- Heat and Air Conditioning control unit
- Courtesy lights in the cab
- Radio and CD player

OPTIONAL EQUIPMENT

- Diesel Engine with EU Stage III A - US EPA Tier 3 motorization
- Additional Counterweight 1.1 ton
- Fiberglass canopies
- Automatic greasing kit
- Lubricator pump kit for rotary pads cradle
- Central lubrication system
- Flange for bucket opening
- Hydraulic prearrangement for casing oscillator
- Mast extension for special configuration
- Mast ladder kit
- Parachute safety kit
- Automatic hydraulic kit for upper mast folding
- Limit switch for rope winding and winches
- Free fall service winch
- Double roller auger cleaner
- Prearrangement for VTH-1
- Click-click system for soil discharge from tool
- Anti-slack system for main winch rope
- Autodrilling kit
- Removable counterweight
- Removable foot element kit
- Automatic raising mast (patented)
- Load cell on main winch
- Adaptation kit for SR75 kelly bar
- Variable drilling axis 780/1030 kit
- Automatic return to center hole kit
- PTO kit for washer pump
- Tool kit platform
- Sliding openable window

SR-65 EVO Hydraulic Rotary Rig

KELLY DRILLING SYSTEM



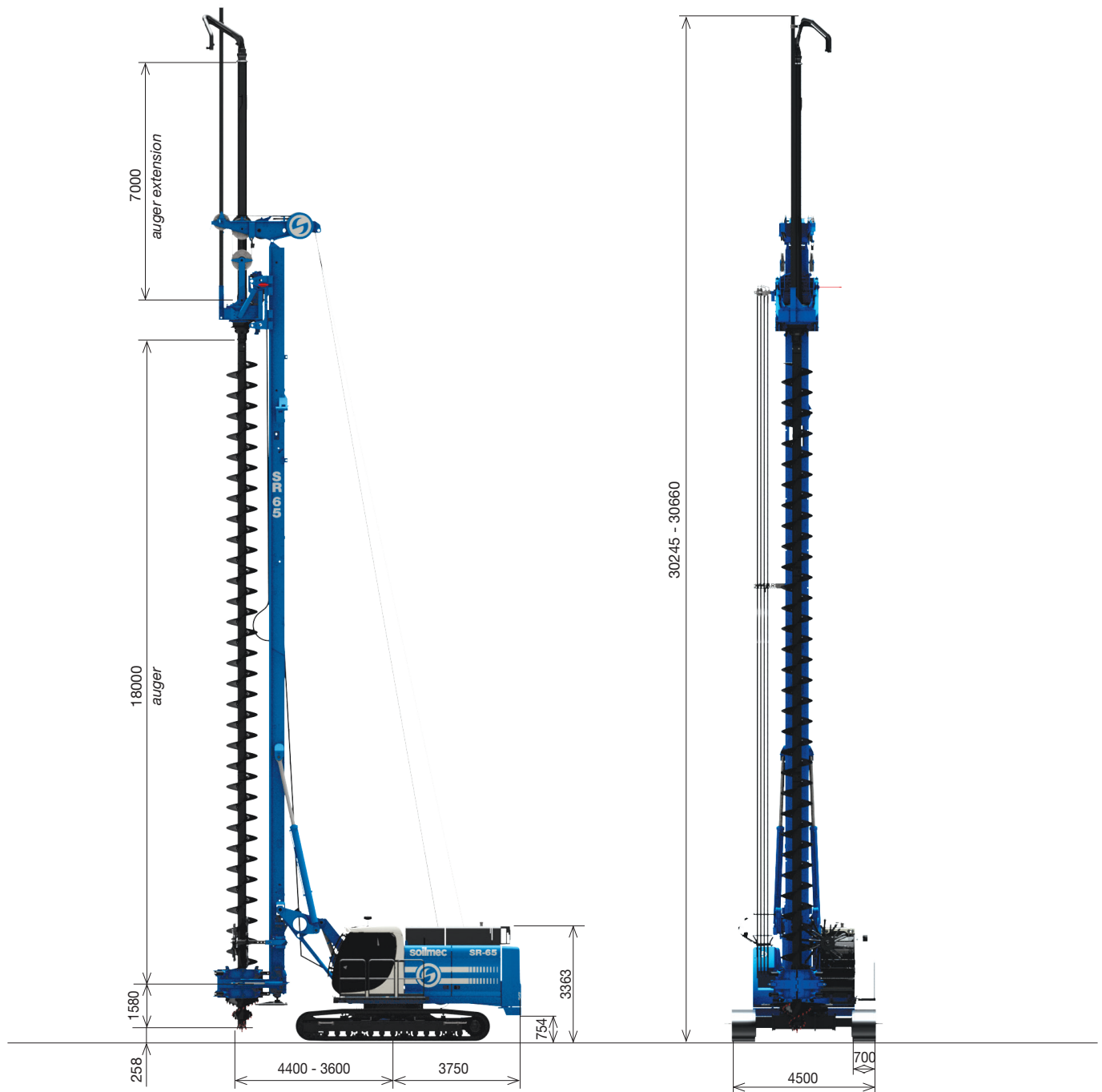
	Drilling Depths	Kelly dimensions	CCS Depth **		Weight		CCS SYSTEM				WCS SYSTEM	
			m	ft	ton	ton (US)	H - low pos		H - high pos		H	
							m	ft	m	ft	m	ft
3 parts	BL HD	3 x 9	24,1	79.1	4,8	5.3	7,9	25.9	9,2	30.2	10,7	35.1
	BL HD	3 x 11,5	31,3	102.7	5,9	6.5	7,9	25.9	8,4	27.6	8,4	27.6
	BL HD	3 x 13,5	37,3	122.4	6,7	7.4	6,4	21.0	6,4	21.0	6,4	21.0
	BL HD	3 x 15,5	43,4	142.4	7,5	8.3	4,3	14.1	4,3	14.1	4,3	14.1
	BL HD	3 x 16,5	46,7	153.2	8,0	8.8	3,2	10.5	3,2	10.5	3,2	10.5
4 parts	BL HD	4 x 7,5	24,5	80.4	4,3	4.7	7,9	25.9	9,2	30.2	11,6	38.1
	BL HD	4 x 9	32,1	105.3	5,0	5.5	7,9	25.9	9,2	30.2	10,8	35.4
	BL HD	4 x 10,5	37,3	122.4	5,7	6.3	7,9	25.9	9,2	30.2	9,5	31.2
	BL HD	4 x 11,5	41,3	135.5	6,2	6.8	7,9	25.9	8,4	27.6	8,4	27.6
	BL HD	4 x 13,5	49,6	162.7	7,1	7.8	6,4	21.0	6,4	21.0	6,4	21.0
	BL HD	4 x 15,5	57,9	190.0	8,0	8.8	4,4	14.4	4,4	14.4	4,4	14.4
	BL HD	4 x 16,5	62,3	204.4	8,5	9.4	3,2	10.5	3,2	10.5	3,2	10.5
	FR HD	4 x 10,5	37,1	121.7	5,7	6.3	7,9	25.9	9,2	30.2	9,5	31.2
	FR HD	4 x 11,5	41,3	135.5	6,2	6.8	7,9	25.9	8,4	27.6	8,4	27.6
	FR HD	4 x 13,5	49,8	163.4	7,1	7.8	6,4	21.0	6,4	21.0	6,4	21.0
5 parts	FR HD*	5 x 10,5	46,4	152.2	6,1	6.7	7,9	25.9	9,2	30.2	9,6	31.5
	FR HD*	5 x 11,5	51,8	169.9	6,6	7.3	7,9	25.9	8,5	27.9	8,5	27.9
	FR HD*	5 x 12	53,7	176.2	6,8	7.5	7,9	25.9	7,9	25.9	7,9	25.9
	FR HD*	5 x 13,5	62,2	204.1	7,6	8.4	6,5	21.3	6,5	21.3	6,5	21.3
	FR HD*	5 x 14,5	66,2	217.2	8,0	8.8	5,6	18.4	5,6	18.4	5,6	18.4
	FR HD*	5 x 15,5	71,9	235.9	8,5	9.4	4,5	14.8	4,5	14.8	4,5	14.8
	FR HD*	5 x 16,5	77,7	254.9	9,0	9.9	3,4	11.2	3,4	11.2	3,4	11.2

* rotary head derate

** For CCS w/o mast lower element, depth reduced by -1300 mm / For WCS version depth reduced by -200 mm / For WCS w/o mast lower element, depth reduced by -1600 mm / For Kelly c/w stub 200x200, depth reduced by -200mm

SR-65 EVO Hydraulic Rotary Rig

CFA APPLICATIONS 4° line pull



CFA - Continuous Flight Auger - Quick conversion kit

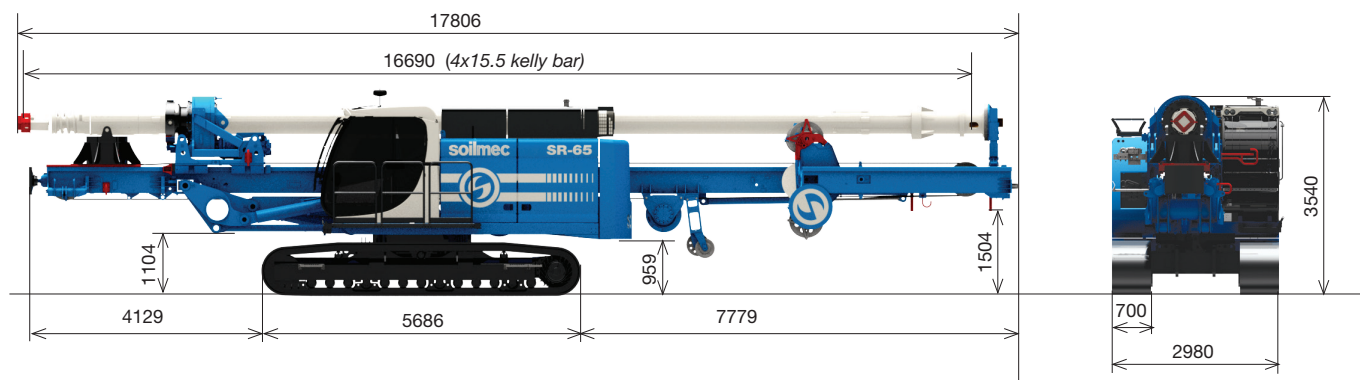
Operating weight (c/w auger ext, w/o auger)	60500 kg	133378 lb
Max pile diameter	1200 mm	47.24 in
Max pile depth with 7 m auger extension	22,5 m	74 ft
Max pile depth with rotating auger cleaner, with 7 m auger extension	21,2 m	70 ft
Extraction force	550 kN	123643 lbf
Crowd force on auger	330 kN	74186 lbf

CFA - Continuous Flight Auger - 4° line pull

Operating weight (c/w auger ext, w/o auger)	61200 kg	134922 lb
Max pile diameter	1200 mm	47.24 in
Max pile depth with 7 m auger extension	25,9 m	85 ft
Max pile depth with rotating auger cleaner, with 7 m auger extension	24,6 m	81 ft
Extraction force	620 kN	139379 lbf
Crowd force on auger (opt.)	100 kN	22481 lbf

SR-65 EVO Hydraulic Rotary Rig

TRANSPORT, DIMENSIONS AND WEIGHTS



All technical data are purely indicative and subject to change without notice

Transport configuration		
Transport width	2980 mm	117.32 in
Transport length	17600 mm	692.91 in
Transport height	3540 mm	139.37 in
Transport weight c/w kelly bar 4x13,5 (CCS - WCS)	63600 / 65800 kg	140213 / 145063 lb
Min transport weight (CCS - WCS) *	48450 / 49850 kg	106813 / 109899 lb
CFA transport weight (Quick conversion - 4°line pull)	57600 / 58300 kg	126985 / 128528 lb

* CCS: w/o kelly bar and counterweight

WCS: w/o kelly bar, counterweight, cardan joint, rotary flange, foot pad

Technical data sheet SR65- 001- 3/2018

This brochure has been edited and distributed by SOILMEC Spa. The present document cancels and override any previous ones. This brochure shall not be distributed, reproduced or exhibited without SOILMEC Spa. authorization in accordance with to SOILMEC web site disclaimer condition.

SOILMEC Spa distributes machinery and structures all over the world, supported by SOILMEC Spa subsidiary companies and dealers. The complete Soilmec network list is available on the web site www.soilmec.it